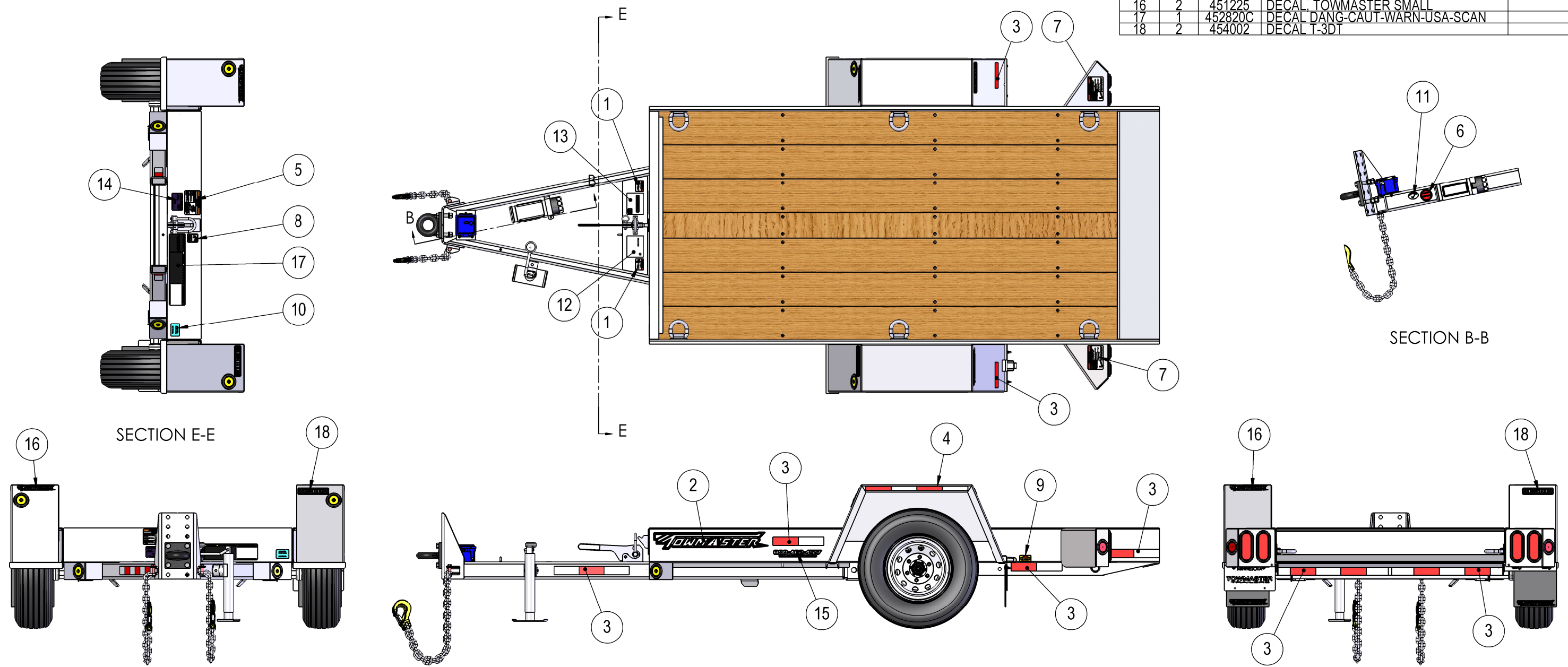


NOTES:

1.) CONSPICUITY TAPE MUST START AT FURTHEST MOST FRONT PART OF THE TRAILER STARTING WITH WHITE AND ALTERNATING (WHITE, RED) THROUGHOUT THE TRAILER RUNNING AS SEAMLESS AS POSSIBLE. ALL CONSPICUITY TAPE IS TO COVER VERTICAL PERIMETER OF THE TRAILER HORIZONTALLY. IF NEEDING TO CUT BECAUSE OF LIGHTS, D-RINGS, STAKE POCKETS, DECALS, ETC, CUT LINES MUST BE WHERE THE WHITE/RED MEET. IF ENDING IN A WHITE THE NEXT COLOR MUST BE A RED AND VICE-VERSA.

ITEM	QTY.	PART NUMBER	DESCRIPTION	NOTES
1	2	450011	DECAL DANGER PINCH POINT	
2	2	450016	DECAL LARGE TOWMASTER 27	
3	17	450050	REFLECTIVE TAPE 2" RED/WHITE	
4	4	450052	REFLECTIVE TAPE 1" RED/WHITE	
5	1	450055	DECAL WARNING TILT DECK LATCH	
6	1	450112	DECAL NATM COMPLIANCE	SUPPLIED BY VENDOR
7	2	450270	DECAL DANGER TILT STAND CLEAR	
8	1	450291	DECAL PPG	SUPPLIED BY VENDOR
9	2	450292	LOAD POINT	
10	1	450293	DECAL MIN DOT	IF REQUIRED
11	1	450294	DECAL QUALITY	SUPPLIED BY VENDOR
12	1	450295	DECAL SERIAL NUMBER	SUPPLIED BY VENDOR
13	1	450296	DECAL TIRE INFORMATION	SUPPLIED BY VENDOR
14	1	450297	DECAL TREDIT	SUPPLIED BY VENDOR
15	2	450705	DECAL TOWMASTER TRAILERS.COM	
16	2	451225	DECAL TOWMASTER SMALL	
17	1	452820C	DECAL DANG-CAUT-WARN-USA-SCAN	
18	2	454002	DECAL T-3DT	



TOWMASTER
LITCHFIELD, MN

THIS DRAWING AND ITS CONTENTS ARE THE EXCLUSIVE PROPERTY OF TOWMASTER INC. AND SHALL NOT BE DISCLOSED TO OTHERS EXCEPT AS AUTHORIZED THROUGH WRITTEN CONSENT FROM TOWMASTER INC.

TOLERANCES: .0	±.1	 THIRD ANGLE PROJECTION	 WELD SYMBOLS
UNLESS .00	±.06		
OTHERWISE .000	±.010		
SPECIFIED ANGLES	±1°		

SURFACE AREA: 68067.75 IN.SQ. PART NAME: DECAL LAYOUT T-3DT

WEIGHT: 3985.40 LB.

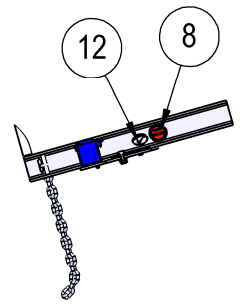
DATE: 08/04/17 DESIGNED BY: RB SHEET: 1/1 PART NUMBER: 1998001

DO NOT SCALE DETAILED BY: RB

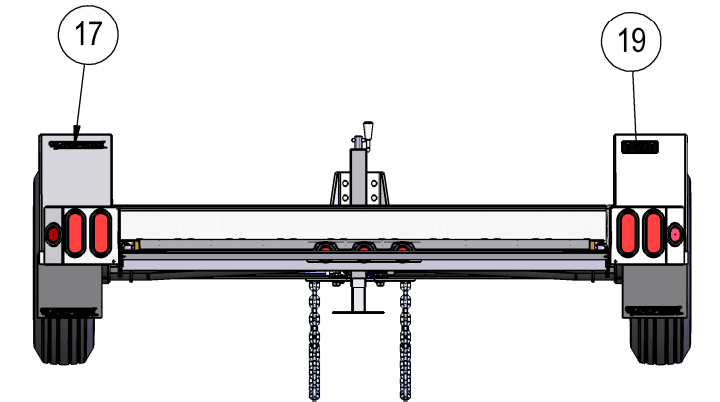
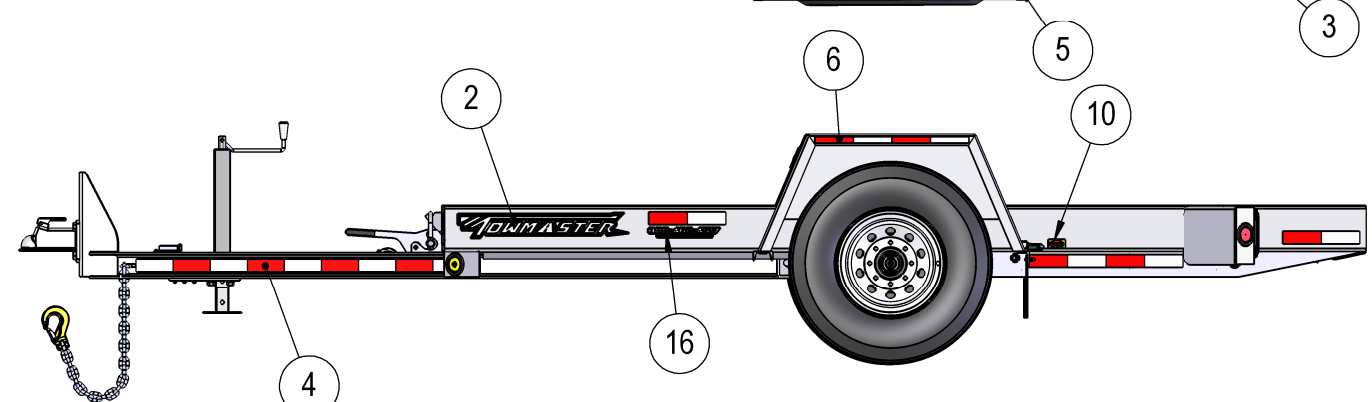
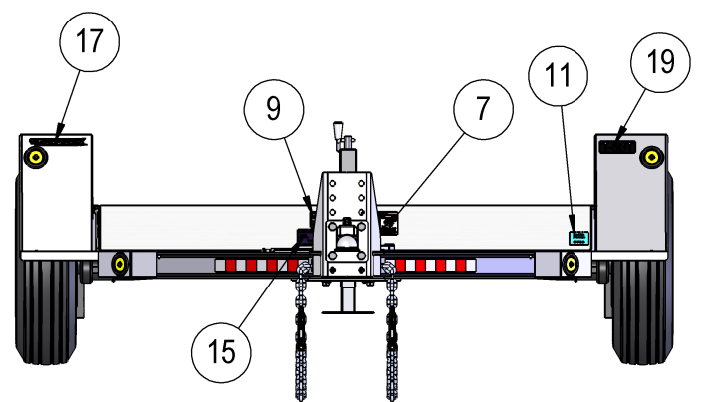
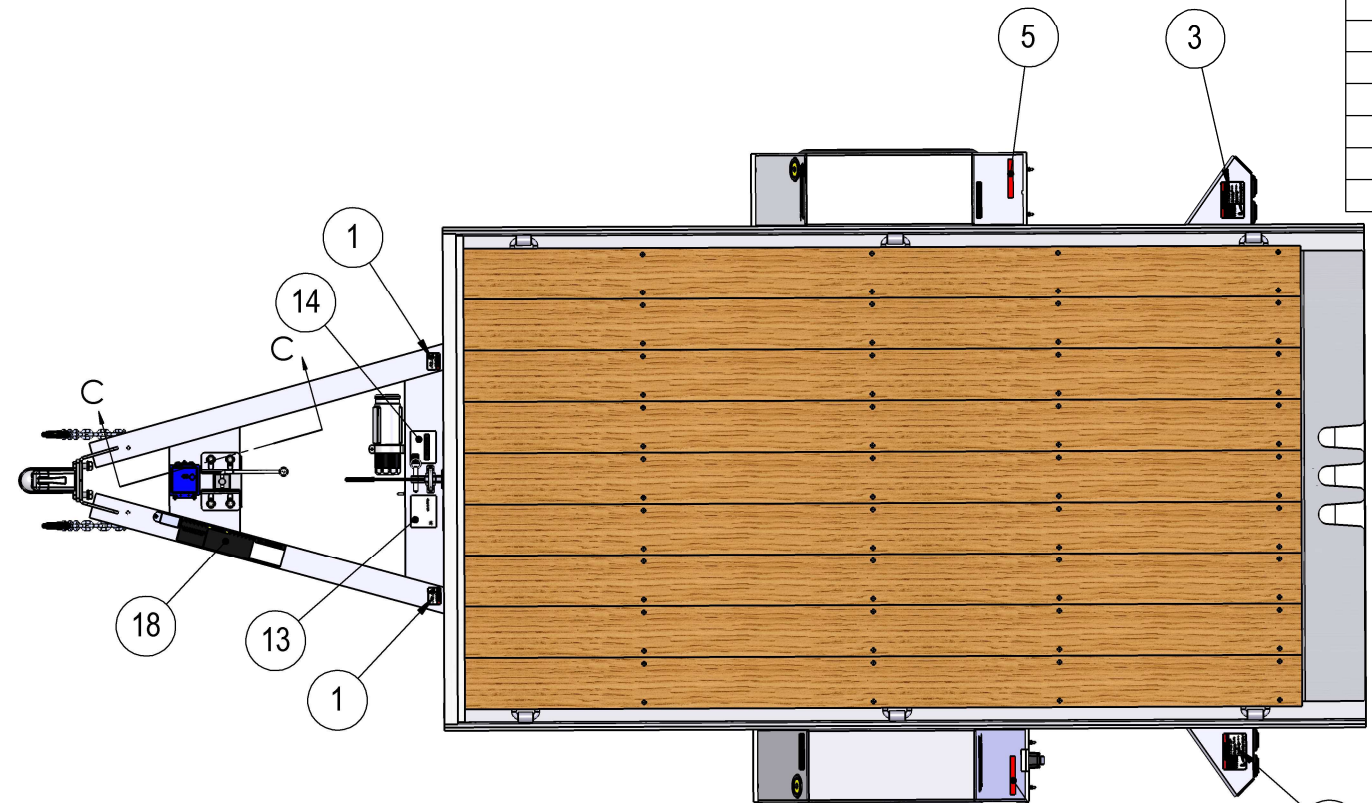
DECAL KIT #450122

NOTES:
 1.) CONSPICUITY TAPE MUST START AT FURTHEST MOST FRONT PART OF THE TRAILER STARTING WITH WHITE AND ALTERNATING (WHITE, RED) THROUGHOUT THE TRAILER RUNNING AS SEAMLESS AS POSSIBLE. ALL CONSPICUITY TAPE IS TO COVER VERTICAL PERIMETER OF THE TRAILER HORIZONTALLY. IF NEEDING TO CUT BECAUSE OF LIGHTS, D-RINGS, STAKE POCKETS, DECALS, ETC, CUT LINES MUST BE WHERE THE WHITE/RED MEET. IF ENDING IN A WHITE THE NEXT COLOR MUST BE A RED AND VICE-VERSA.

ITEM	TILTED/QTY.	PART NUMBER	DESCRIPTION	NOTES
1	2	450011	DECAL DANGER PINCH POINT	
2	2	450016	DECAL, LARGE TOWMASTER 27	
3	2	450270	DECAL DANGER TILT STAND CLEAR	
4	16	450050	REFLECTIVE TAPE 2" RED/WHITE	
5	2	450050	REFLECTIVE TAPE, 2" RED	
6	4	450052	REFLECTIVE TAPE, 1" RED/WHITE	
7	1	450055	DECAL WARNING TILT DECK LATCH	
8	1	450112	DECAL, NATM COMPLIANCE	SUPPLIED BY VENDOR
9	1	450291	DECAL PPG	SUPPLIED BY VENDOR
10	2	450292	LOAD POINT	
11	1	450293	DECAL MIN DOT	SUPPLIED BY VENDOR
12	1	450294	DECAL QUALITY	
13	1	450295	DECAL SERIAL NUMBER	SUPPLIED BY VENDOR
14	1	450296	DECAL TIRE INFORMATION	SUPPLIED BY VENDOR
15	1	450297	DECAL TREDIT	SUPPLIED BY VENDOR
16	2	450705	DECAL, TOWMASTER TRAILERS.COM	
17	2	451225	DECAL, TOWMASTER SMALL	
18	1	452820C	DECAL DANG-CAUT-WARN-USA-SCAN	
19	2	454005	DECAL T-5DT	



SECTION C-C



TOWMASTER
 LITCHFIELD, MN

THIS DRAWING AND ITS CONTENTS ARE THE EXCLUSIVE PROPERTY OF TOWMASTER INC. AND SHALL NOT BE DISCLOSED TO OTHERS EXCEPT AS AUTHORIZED THROUGH WRITTEN CONSENT FROM TOWMASTER INC.

TOLERANCES .0 ±.1 UNLESS .00 ±.06 OTHERWISE .000 ±.010 SPECIFIED ANGLES ±1°	THIRD ANGLE PROJECTION	WELD SYMBOLS
SURFACE AREA: IN SQ.	PART NAME: DECAL LAYOUT T-5DT	
WEIGHT: 1690.46 LBS.	DATE: 08/04/17	DESIGNED BY: RB
DO NOT SCALE	DETAILED BY: RB	SHEET: 1/1
		PART NUMBER: 1998002

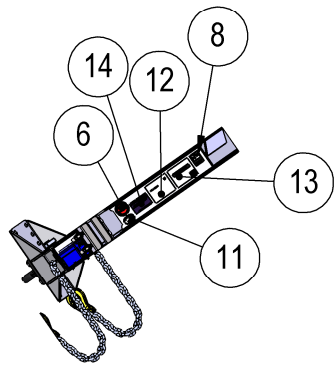
DECAL KIT #450122

NOTES:

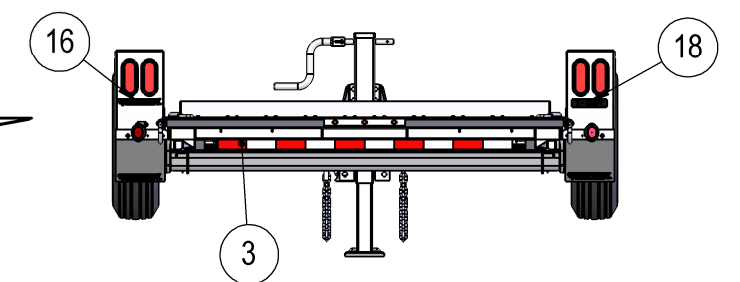
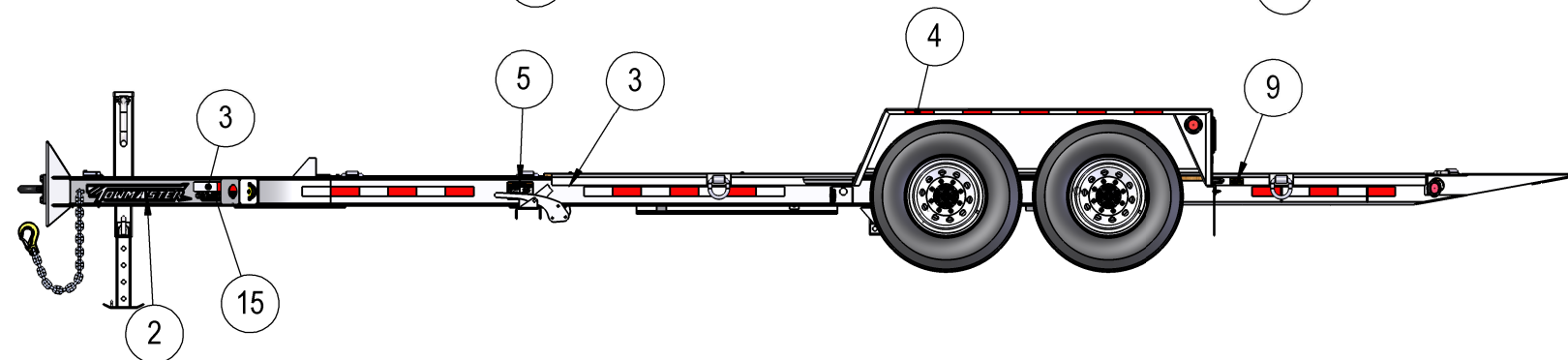
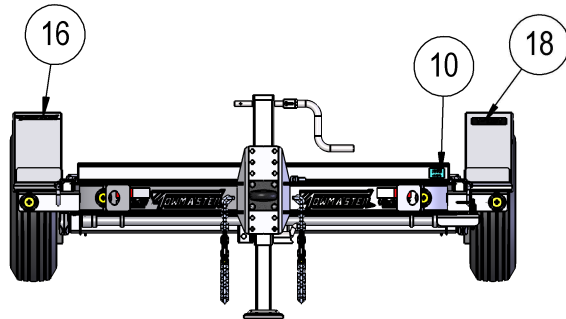
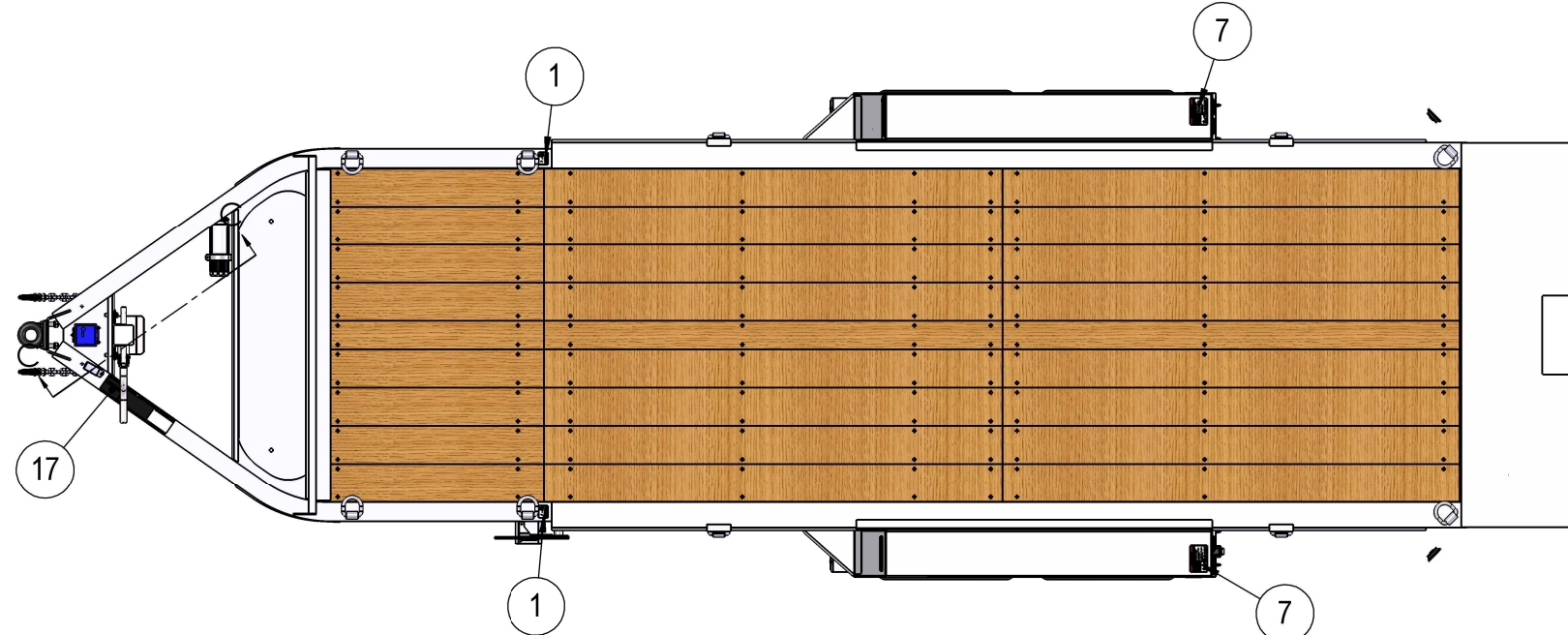
1.) CONSPICUITY TAPE MUST START AT FURTHEST MOST FRONT PART OF THE TRAILER STARTING WITH WHITE AND ALTERNATING (WHITE, RED) THROUGHOUT THE TRAILER RUNNING AS SEAMLESS AS POSSIBLE. ALL CONSPICUITY TAPE IS TO COVER VERTICAL PERIMETER OF THE TRAILER HORIZONTALLY. IF NEEDING TO CUT BECAUSE OF LIGHTS, D-RINGS, STAKE POCKETS, DECALS, ETC, CUT LINES MUST BE WHERE THE WHITE/RED MEET. IF ENDING IN A WHITE THE NEXT COLOR MUST BE A RED AND VICE-VERSA.

2.) LAYOUT TO BE USED ON THE FOLLOWING TRAILER: T-9DT, T-10DT, T-12DT, T-16DT, T-18DT, T-20DT

ITEM	QTY.	PART NUMBER	DESCRIPTION	NOTES
1	2	450011	DECAL DANGER PINCH POINT	
2	2	450016	DECAL LARGE TOWMASTER 27	
3	32	450050	REFLECTIVE TAPE 2" RED/WHITE	
4	10	450052	REFLECTIVE TAPE, 1" RED/WHITE	
5	1	450055	DECAL WARNING TILT DECK LATCH	
6	1	450112	DECAL, NATM COMPLIANCE	SUPPLIED BY VENDOR
7	2	450270	DECAL DANGER TILT STAND CLEAR	
8	1	450291	DECAL PPG	SUPPLIED BY VENDOR
9	2	450292	LOAD POINT	
10	1	450293	DECAL MIN DOT	SUPPLIED BY VENDOR
11	1	450294	DECAL QUALITY	
12	1	450295	DECAL SERIAL NUMBER	
13	1	450296	DECAL TIRE INFORMATION	SUPPLIED BY VENDOR
14	1	450297	DECAL TREDIT	SUPPLIED BY VENDOR
15	2	450705	DECAL, TOWMASTER TRAILERS.COM	
16	2	451225	DECAL, TOWMASTER SMALL	
17	1	452820C	DECAL DANG-CAUT-WARN-USA-SCAN	
18	2	NA	DECAL TRAILER MODEL NUMBER	



SECTION C-C



TOWMASTER
LITCHFIELD, MN

THIS DRAWING AND ITS CONTENTS ARE THE EXCLUSIVE PROPERTY OF TOWMASTER INC. AND SHALL NOT BE DISCLOSED TO OTHERS EXCEPT AS AUTHORIZED THROUGH WRITTEN CONSENT FROM TOWMASTER INC.

TOLERANCES: .0 ±.1
UNLESS .00 ±.06
OTHERWISE .000 ±.010
SPECIFIED ANGLES ±1°

THIRD ANGLE PROJECTION

WELD SYMBOLS

SURFACE AREA: 154892.13 IN.SQ.
WEIGHT: 3598.61 LBS.

PART NAME: DECAL LAYOUT SMALL TILT DROP DECK

DATE: 08/04/17
DO NOT SCALE

DESIGNED BY: RB
DETAILED BY: RB

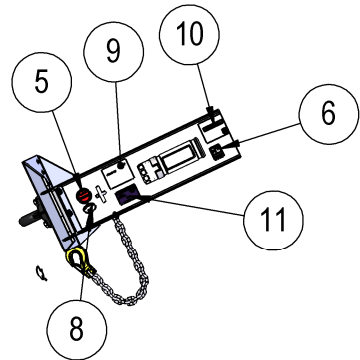
SHEET: 1/1
PART NUMBER: 1998004

DECAL KIT #450122

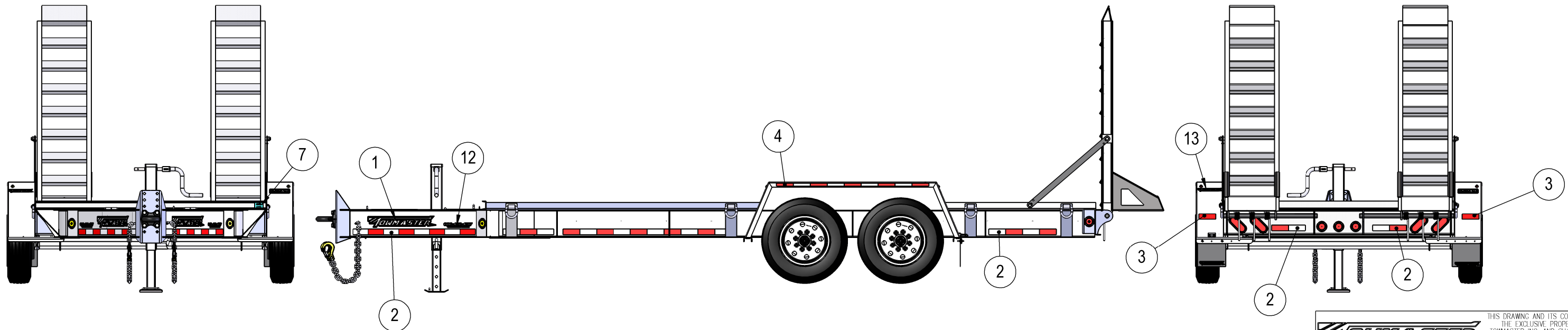
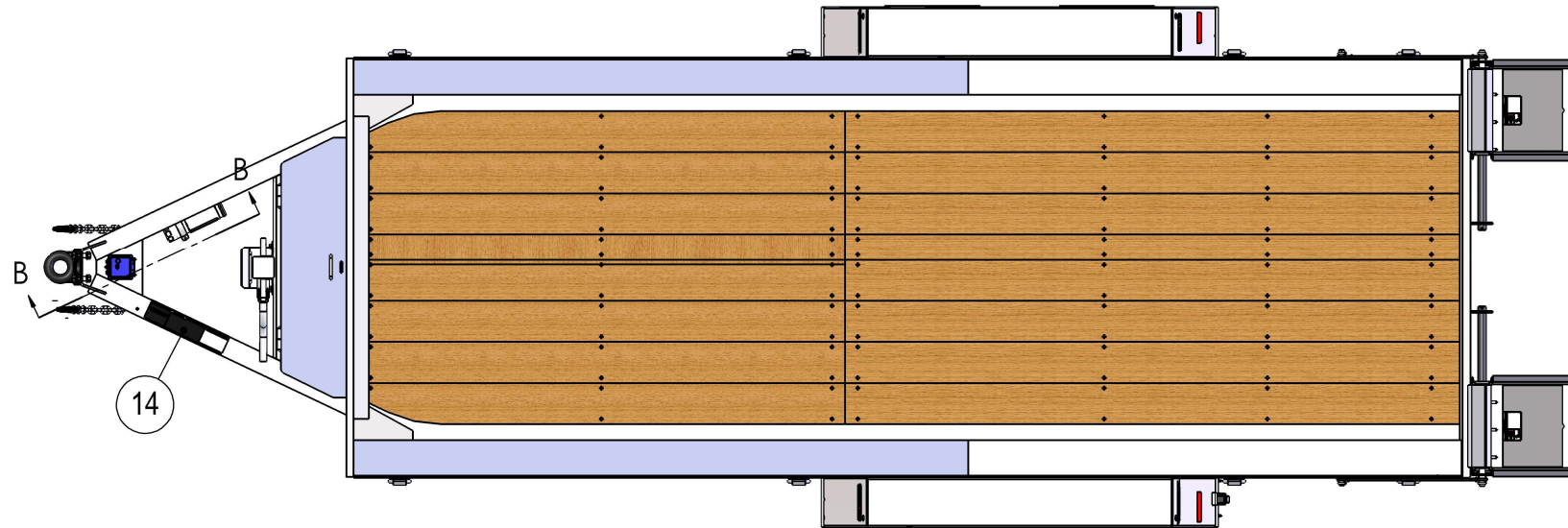
NOTES:

- 1.) CONSPICUITY TAPE MUST START AT FURTHEST MOST FRONT PART OF THE TRAILER STARTING WITH WHITE AND ALTERNATING (WHITE, RED) THROUGHOUT THE TRAILER RUNNING AS SEAMLESS AS POSSIBLE. ALL CONSPICUITY TAPE IS TO COVER VERTICAL PERIMETER OF THE TRAILER HORIZONTALLY. IF NEEDING TO CUT BECAUSE OF LIGHTS, D-RINGS, STAKE POCKETS, DECALS, ETC. CUT LINES MUST BE WHERE THE WHITE/RED MEET. IF ENDING IN A WHITE THE NEXT COLOR MUST BE A RED AND VICE-VERSA.
- 2.) LAYOUT TO BE USED ON THE FOLLOWING TRAILER: T-14D, T-16D, T-18D, T-20D, T-24D.
- 3.) SEE RAMP DECAL LAYOUT FOR LOCATION OF DECAL FOR THE RAMPS.

ITEM	QTY.	PART NUMBER	DESCRIPTION	NOTES
1	2	450016	DECAL, LARGE TOWMASTER 27	
2	28	450050	REFLECTIVE TAPE 2" RED/WHITE	
3	2	450050	REFLECTIVE TAPE 2" RED	
4	10	450052	REFLECTIVE TAPE 1" RED/WHITE	
5	1	450112	DECAL, NATM COMPLIANCE	SUPPLIED BY VENDOR
6	1	450291	DECAL PPG	SUPPLIED BY VENDOR
7	1	450293	DECAL MIN DOT	SUPPLIED BY VENDOR
8	1	450294	DECAL QUALITY	SUPPLIED BY VENDOR
9	1	450295	DECAL SERIAL NUMBER	
10	1	450296	DECAL TIRE INFORMATION	SUPPLIED BY VENDOR
11	1	450297	DECAL TREDIT	SUPPLIED BY VENDOR
12	2	450705	DECAL, TOWMASTER TRAILERS.COM	
13	2	451225	DECAL, TOWMASTER SMALL	
14	1	452820C	DECAL DANG-CAUT-WARN-USA-SCAN	
15	2	NA	DECAL, MODEL NUMBER	



SECTION B-B



TOWMASTER
LITCHFIELD, MN

THIS DRAWING AND ITS CONTENTS ARE THE EXCLUSIVE PROPERTY OF TOWMASTER INC. AND SHALL NOT BE DISCLOSED TO OTHERS EXCEPT AS AUTHORIZED THROUGH WRITTEN CONSENT FROM TOWMASTER INC.

TOLERANCES: .0	±.1	THIRD ANGLE PROJECTION	WELD SYMBOLS
UNLESS .00	±.06		
OTHERWISE .000	±.010		
SPECIFIED ANGLES	±1°		

SURFACE AREA: 148343.48 IN.SQ.
WEIGHT: 9130.67 LBS.

DATE: 08/04/17
DO NOT SCALE

PART NAME: DECAL LAYOUT LARGE DROP DECK
DESIGNED BY: RB
DETAILED BY: RB

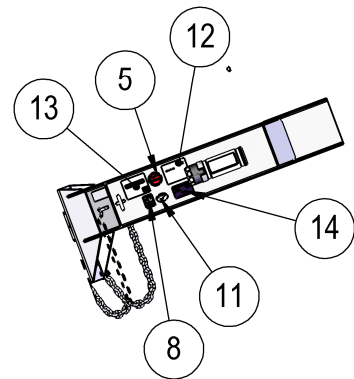
SHEET: 1/1
PART NUMBER: 1998005

DECAL KIT #456206

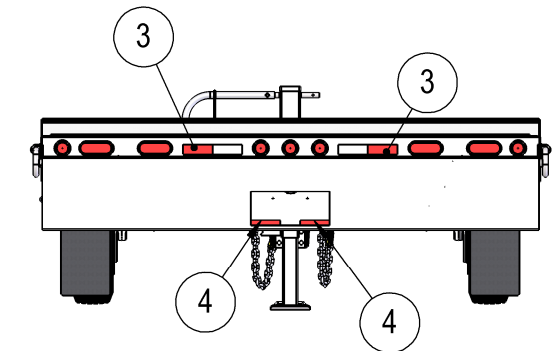
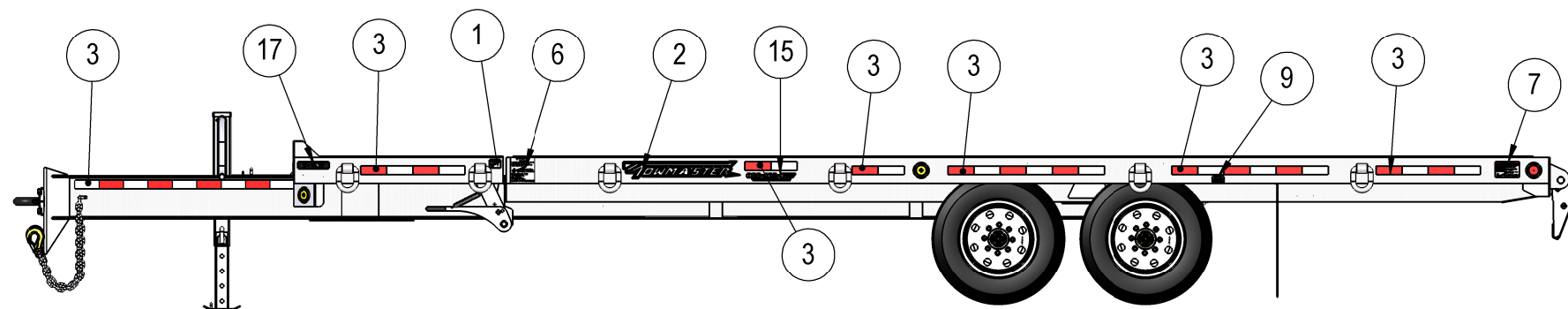
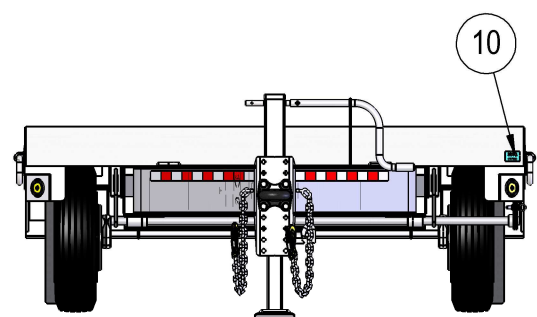
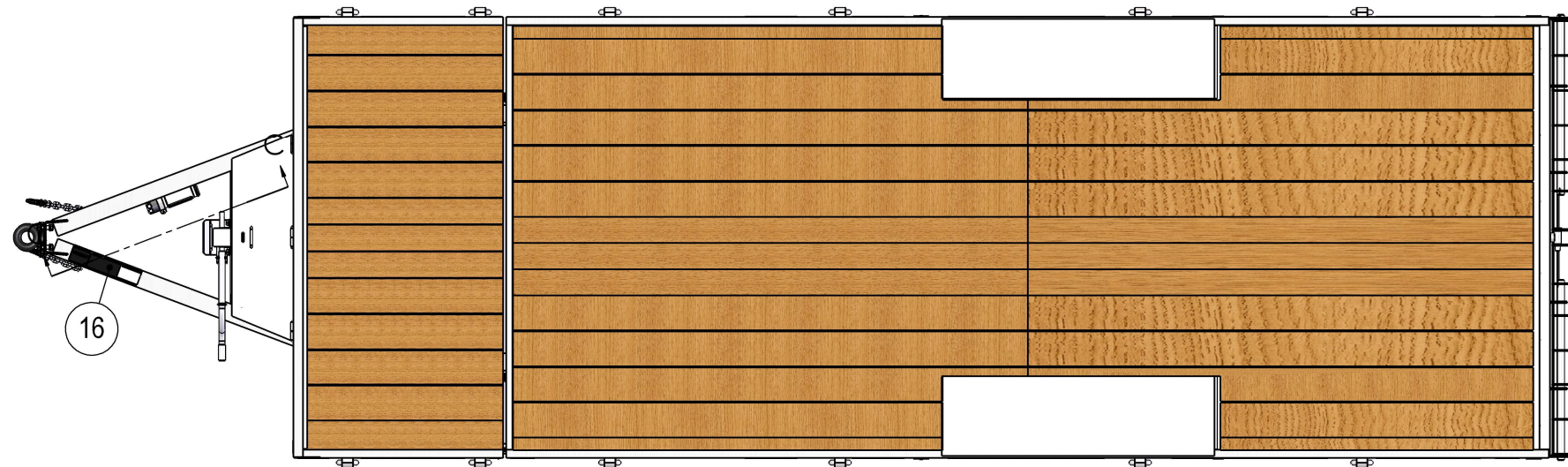
NOTES:

- 1.) CONSPICUITY TAPE MUST START AT FURTHEST MOST FRONT PART OF THE TRAILER STARTING WITH WHITE AND ALTERNATING (WHITE, RED) THROUGHOUT THE TRAILER RUNNING AS SEAMLESS AS POSSIBLE. ALL CONSPICUITY TAPE IS TO COVER VERTICAL PERIMETER OF THE TRAILER HORIZONTALLY. IF NEEDING TO CUT BECAUSE OF LIGHTS, D-RINGS, STAKE POCKETS, DECALS, ETC, CUT LINES MUST BE WHERE THE WHITE/RED MEET. IF ENDING IN A WHITE THE NEXT COLOR MUST BE A RED AND VICE-VERSA.
- 2.) THE EDGE OF WHITE REFLECTIVE TAPE SHALL NOT BE LOCATED CLOSER THAN 3" TO EDGE OF RED LAMP.
- 3.) THE EDGE OF RED REFLECTIVE TAPE SHALL NOT BE LOCATED CLOSER THAN 3" TO EDGE OF AMBER LAMP.
- 2.) LAYOUT TO BE USED ON THE FOLLOWING TRAILER: T-12T, T-14T, T-16T
- 3.) SEE RAMP DECAL LAYOUT FOR LOCATION OF DECAL FOR THE RAMPS.

ITEM	QTY.	PART NUMBER	DESCRIPTION	NOTES
1	2	450011	DECAL DANGER PINCH POINT	
2	2	450016	DECAL, LARGE TOWMASTER 27	
3	36	450050	REFLECTIVE TAPE 2" RED/WHITE	
4	2	450052	REFLECTIVE TAPE 1" RED	
5	1	450112	DECAL, NATM COMPLIANCE	SUPPLIED BY VEDNOR
6	1	450269	DECAL, WARNING-TILT DECK LATCH LEVEL GND	
7	2	450270	DECAL DANGER TILT STAND CLEAR	
8	1	450291	DECAL PPG	SUPPLIED BY VENDOR
9	2	450292	LOAD POINT	
10	1	450293	DECAL MIN DOT	SUPPLIED BY VENDOR
11	1	450294	DECAL QUALITY	SUPPLIED BY VENDOR
12	1	450295	DECAL SERIAL NUMBER	SUPPLIED BY VENDOR
13	1	450296	DECAL TIRE INFORMATION	SUPPLIED BY VENDOR
14	1	450297	DECAL TREDIT	SUPPLIED BY VENDOR
15	2	450705	DECAL, TOWMASTER TRAILERS.COM	
16	1	452820C	DECAL DANG-CAUT-WARN-USA-SCAN	
17	2	NA	DECAL TRAILER MODEL NUMBER	



SECTION C-C



TOWMASTER
LITCHFIELD, MN

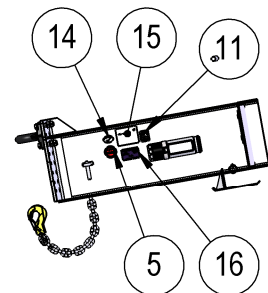
THIS DRAWING AND ITS CONTENTS ARE THE EXCLUSIVE PROPERTY OF TOWMASTER INC. AND SHALL NOT BE DISCLOSED TO OTHERS EXCEPT AS AUTHORIZED THROUGH WRITTEN CONSENT FROM TOWMASTER INC.

TOLERANCES: .0 ±.1 UNLESS .00 ±.06 OTHERWISE .000 ±.010 SPECIFIED ANGLES ±1°	THIRD ANGLE PROJECTION	WELD SYMBOLS
SURFACE AREA: 209993.69 IN ²	PART NAME: DECAL LAYOUT SMALL DO TILT	
WEIGHT: 15399.60 LBS	DATE: 08/05/17	DESIGNED BY: RB
DO NOT SCALE	DATE: 08/05/17	DESIGNED BY: RB
	SHEET: 1/1	PART NUMBER: 1998010

DECAL KIT #456207

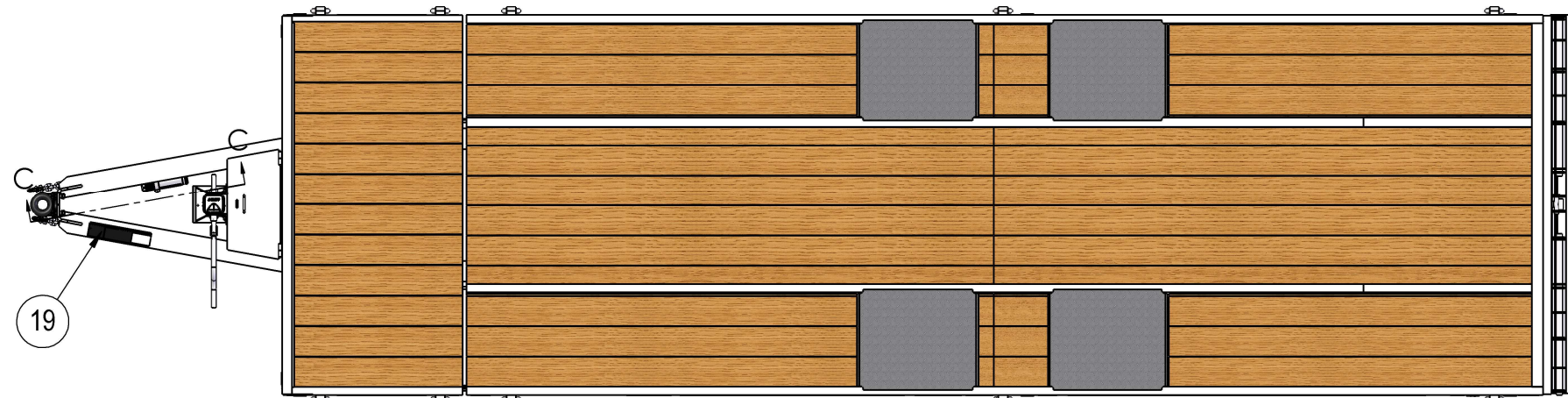
- NOTES:
 1.) CONSPICUITY TAPE MUST START AT FURTHEST MOST FRONT PART OF THE TRAILER STARTING WITH WHITE AND ALTERNATING (WHITE, RED) THROUGHOUT THE TRAILER RUNNING AS SEAMLESS AS POSSIBLE. ALL CONSPICUITY TAPE IS TO COVER VERTICAL PERIMETER OF THE TRAILER HORIZONTALLY. IF NEEDING TO CUT BECAUSE OF LIGHTS, D-RINGS, STAKE POCKETS, DECALS, ETC, CUT LINES MUST BE WHERE THE WHITE/RED MEET. IF ENDING IN A WHITE THE NEXT COLOR MUST BE A RED AND VICE-VERSA.
 2.) THE EDGE OF WHITE REFLECTIVE TAPE SHALL NOT BE LOCATED CLOSER THAN 3" TO EDGE OF RED LAMP.
 3.) THE EDGE OF RED REFLECTIVE TAPE SHALL NOT BE LOCATED CLOSER THAN 3" TO EDGE OF AMBER LAMP.
 4.) LAYOUT TO BE USED ON THE FOLLOWING TRAILER: T-20T, T-24T, T-30T, T-40T

ITEM	QTY.	PART NUMBER	DESCRIPTION	NOTES
1	2	450011	DECAL DANGER PINCH POINT	
2	2	450016	DECAL, LARGE TOWMASTER 27	
3	47	450050	REFLECTIVE TAPE 2" RED/WHITE	
4	2	450050	REFLECTIVE TAPE 2" RED	
5	1	450112	DECAL, NATM COMPLIANCE	SUPPLIED BY VENDOR USE ON T-20T ONLY
6	1	450269	DECAL, WARNING-TILT DECK LATCH LEVEL GND	
7	2	450270	DECAL DANGER TILT STAND CLEAR	
8	1	450282	DECAL 10K TO 15K TORQUE REQUIREMENTS	SUPPLIED BY VENDOR USED WITH 10K TO 15K AXLE
9	1	450285	DECAL ABS INDICATOR	
10	1	450286	DECAL DEXTER TORQUE SPEC 22.5K	SUPPLIED BY VENDOR USED WITH 22.5K AXLE
11	1	450291	DECAL PPG	SUPPLIED BY VENDOR
12	2	450292	LOAD POINT	
13	1	450293	DECAL MIN DOT	SUPPLIED BY VENDOR (IF REQUIRED)
14	1	450294	DECAL QUALITY	SUPPLIED BY VENDOR
15	1	450295	DECAL SERIAL NUMBER	SUPPLIED BY VENDOR
16	1	450297	DECAL TREDIT	SUPPLIED BY VENDOR
17	1	450299	DECAL HUTCHENS SUSP TORQUE REQUIRMENTS	SUPPLIED BY VENDOR USED WITH 22.5K AXLE
18	2	450705	DECAL, TOWMASTER TRAILERS.COM	
19	1	452820C	DECAL DANG-CAUT-WARN-USA-SCAN	
20	2	NA	DECAL MODEL TRAILER NUMBER	



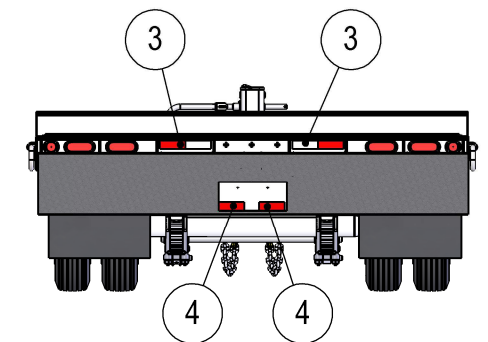
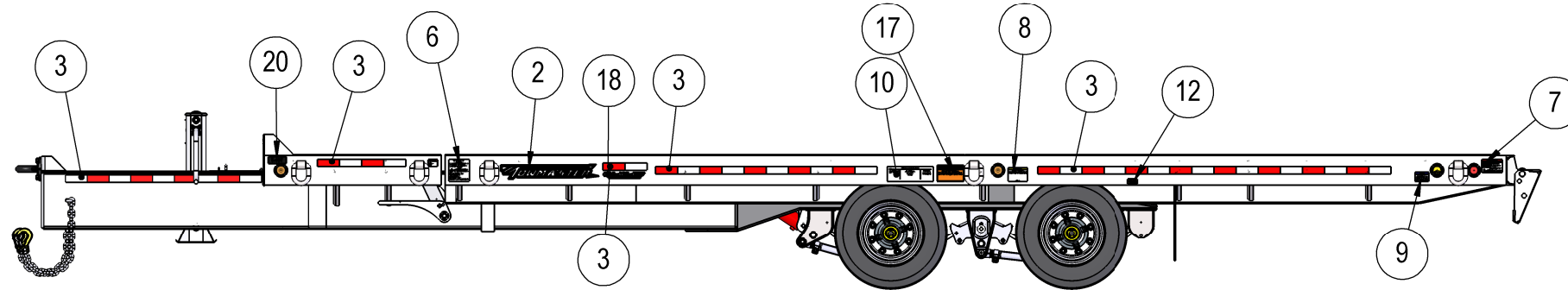
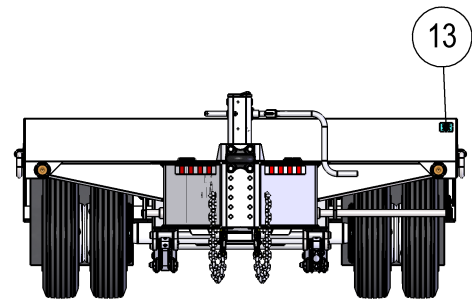
ITEM #15 USED ON T-20T ONLY

SECTION C-C



****ITEM 10 & 19 ARE REQUIRED WITH ALL 22.5K AXLES***

****ITEM 8 REQUIRED WITH ALL 10K TO 15K AXLES***



TOWMASTER
 LITCHFIELD, MN
 THIS DRAWING AND ITS CONTENTS ARE THE EXCLUSIVE PROPERTY OF TOWMASTER INC. AND SHALL NOT BE DISCLOSED TO OTHERS EXCEPT AS AUTHORIZED THROUGH WRITTEN CONSENT FROM TOWMASTER INC.

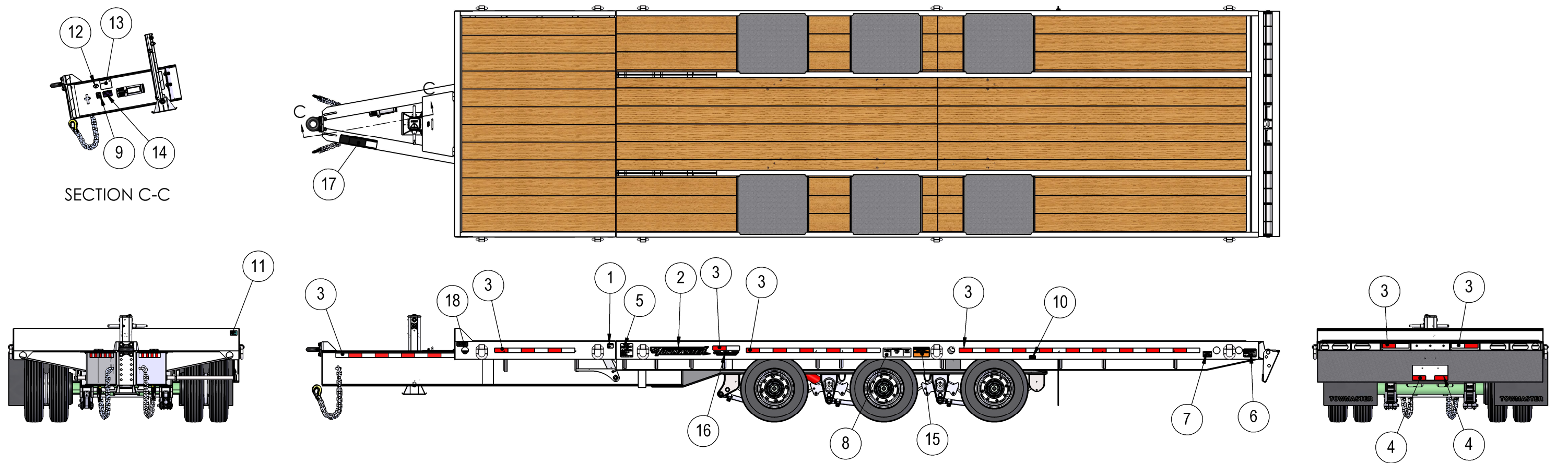
TOLERANCES UNLESS OTHERWISE SPECIFIED	.0 .00 .000	±.1 ±.06 ±.010 ±1"	THIRD ANGLE PROJECTION	WELD SYMBOLS
SURFACE AREA: 308982.21	IN.SQ.	PART NAME: DECAL LAYOUT LARGE DO TILT		
WEIGHT:8857.25	BS.	DATE: 11/07/16	DESIGNED BY:RB	SHEET: 1/1
DO NOT SCALE		DATE: 11/07/16	DESIGNED BY:RB	PART NUMBER: 1998011

DECAL KIT #456207

NOTES:

- 1.) CONSPICUITY TAPE MUST START AT FURTHEST MOST FRONT PART OF THE TRAILER STARTING WITH WHITE AND ALTERNATING (WHITE, RED) THROUGHOUT THE TRAILER RUNNING AS SEAMLESS AS POSSIBLE. ALL CONSPICUITY TAPE IS TO COVER VERTICAL PERIMETER OF THE TRAILER HORIZONTALLY. IF NEEDING TO CUT BECAUSE OF LIGHTS, D-RINGS, STAKE POCKETS, DECALS, ETC, CUT LINES MUST BE WHERE THE WHITE/RED MEET. IF ENDING IN A WHITE THE NEXT COLOR MUST BE A RED AND VICE-VERSA.
- 2.) THE EDGE OF WHITE REFLECTIVE TAPE SHALL NOT BE CLOSER THAN 3" TO THE EDGE OF A RED LAMP.
- 3.) THE EDGE OF RED REFLECTIVE TAPE SHALL NOT BE CLOSER THAN 3" TO THE EDGE OF A AMBER LAMP.
- 4.) LAYOUT TO BE USED ON THE FOLLOWING TRAILER: T-50T

ITEM	QTY.	PART NUMBER	DESCRIPTION	NOTES
1	2	450011	DECAL DANGER PINCH POINT	
2	2	450016	DECAL, LARGE TOWMASTER 27	
3	50	450050	REFLECTIVE TAPE 2" RED/WHITE	
4	2	450050	REFLECTIVE TAPE 2" RED	
5	1	450269	DECAL, WARNING-TILT DECK LATCH LEVEL GND	
6	2	450270	DECAL DANGER TILT STAND CLEAR	
7	1	450285	DECAL ABS INDICATOR	
8	1	450286	DECAL DEXTER TORQUE SPEC 22.5K	SUPPLIED BY VENDOR
9	1	450291	DECAL PPG	SUPPLIED BY VENDOR
10	2	450292	LOAD POINT	
11	1	450293	DECAL MIN DOT	SUPPLIED BY VENDOR
12	1	450294	DECAL QUALITY	SUPPLIED BY VENDOR
13	1	450295	DECAL SERIAL NUMBER	SUPPLIED BY VENDOR
14	1	450297	DECAL TREDIT	SUPPLIED BY VENDOR
15	1	450299	DECAL HUTCHENS SUSP TORQUE REQUIRMENTS	SUPPLIED BY VENDOR
16	2	450705	DECAL, TOWMASTER TRAILERS.COM	
17	1	452820C	DECAL DANG-CAUT-WARN-USA-SCAN	
18	2	NA	DECAL MODEL TRAILER NUMBER	



TOWMASTER
LITCHFIELD, MN

THIS DRAWING AND ITS CONTENTS ARE THE EXCLUSIVE PROPERTY OF TOWMASTER INC. AND SHALL NOT BE DISCLOSED TO OTHERS EXCEPT AS AUTHORIZED THROUGH WRITTEN CONSENT FROM TOWMASTER INC.

TOLERANCES: .0	±.1	THIRD ANGLE PROJECTION	WELD SYMBOLS
UNLESS .00	±.06		
OTHERWISE .000	±.010		
SPECIFIED ANGLES	±1°		

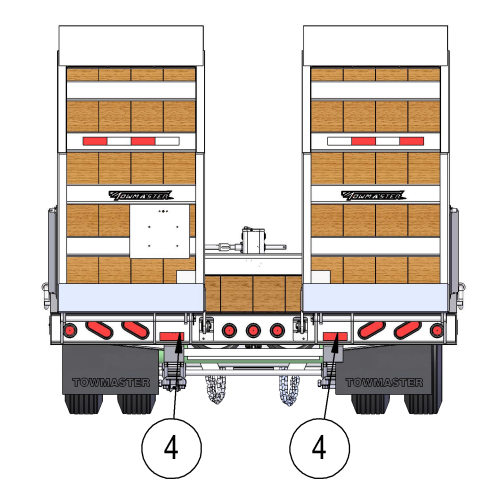
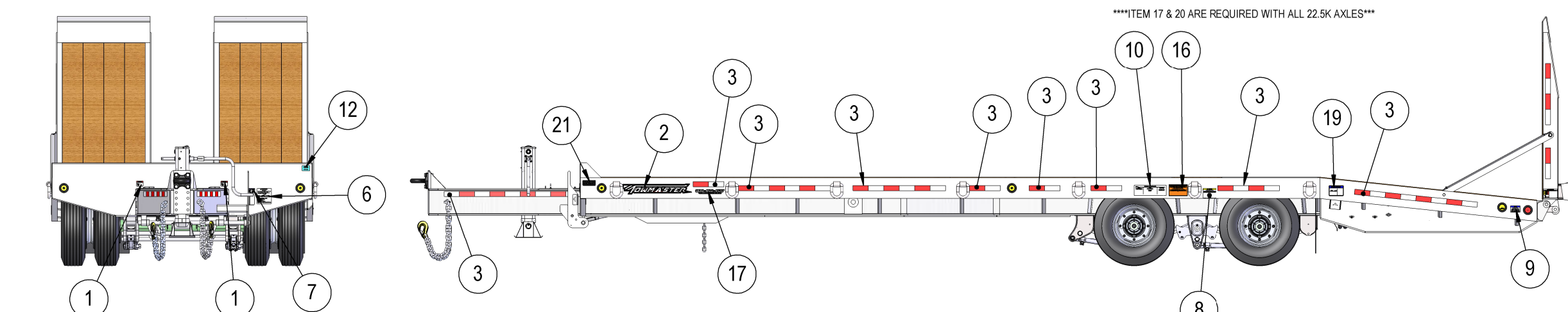
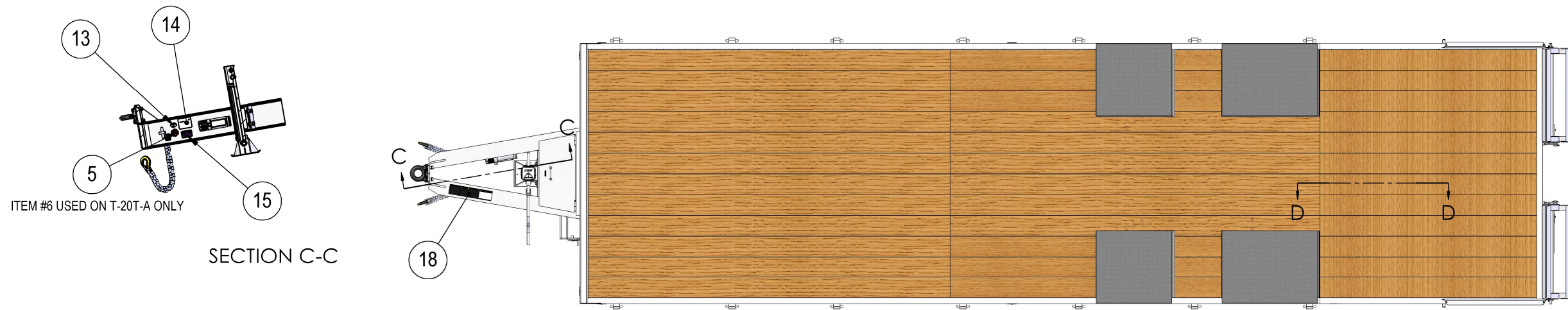
SURFACE AREA: 349235.00 IN²
 PART NAME: DECAL LAYOUT T-50T
 WEIGHT: 10183.58_{lb}

DATE: 08/11/17	DESIGNED BY: RB	SHEET: 1/1	PART NUMBER: 1998012
DO NOT SCALE	DETAILED BY: RB		

DECAL KIT #456207

- NOTES:**
- 1.) CONSPICUITY TAPE MUST START AT FURTHEST MOST FRONT PART OF THE TRAILER STARTING WITH WHITE AND ALTERNATING (WHITE, RED) THROUGHOUT THE TRAILER RUNNING AS SEAMLESS AS POSSIBLE. ALL CONSPICUITY TAPE IS TO COVER VERTICAL PERIMETER OF THE TRAILER HORIZONTALLY. IF NEEDING TO CUT BECAUSE OF LIGHTS, D-RINGS, STAKE POCKETS, DECALS, ETC, CUT LINES MUST BE WHERE THE WHITE/RED MEET. IF ENDING IN A WHITE THE NEXT COLOR MUST BE A RED AND VICE-VERSA.
 - 2.) THE EDGE OF WHITE REFLECTIVE TAPE SHALL NOT BE LOCATED CLOSER THAN 3" TO EDGE OF A RED LAMP.
 - 3.) THE EDGE OF RED REFLECTIVE TAPE SHALL NOT BE LOCATED CLOSER THAN 3" TO A AMBER LAMP.
 - 4.) LAYOUT TO BE USED ON THE FOLLOWING TRAILER: T-20T-A, T-24T-A, T-30T-A, T-40T-A
 - 5.) SEE RAMP DECAL LAYOUT FOR LOCATION OF DECAL FOR THE RAMPS.

ITEM	Default/QTY.	PART NUMBER	DESCRIPTION	NOTES
1	2	450011	DECAL DANGER PINCH POINT	
2	2	450016	DECAL LARGE TOWMASTER 27	
3	44	450050	REFLECTIVE TAPE 2" RED/WHITE	
4	2	450050	REFLECTIVE TAPE 2" RED	
5	1	450112	DECAL NATM COMPLIANCE	SUPPLIED BY VENDOR
6	1	450269	DECAL WARNING-TILT DECK LATCH LEVEL GND	
7	1	450281	DECAL AIR TILT OPERATION	
8	1	450282	DECAL 10K TO 15K TORQUE REQUIREMENTS	SUPPLIED BY VENDOR
9	1	450285	DECAL ABS INDICATOR	SUPPLIED BY VENDOR
10	1	450286	DECAL DEXTER TORQUE SPEC 22.5K	SUPPLIED BY VENDOR
11	1	450291	DECAL PPG	SUPPLIED BY VENDOR
12	1	450293	DECAL MIN DOT	SUPPLIED BY VENDOR
13	1	450294	DECAL QUALITY	SUPPLIED BY VENDOR
14	1	450295	DECAL SERIAL NUMBER	SUPPLIED BY VENDOR
15	1	450297	DECAL TREDIT	SUPPLIED BY VENDOR
16	1	450299	DECAL HUTCHENS SUSP TORQUE REQUIRMENTS	SUPPLIED BY VENDOR
17	2	450705	DECAL TOWMASTER TRAILERS.COM	
18	1	452820C	DECAL DANG-CAUT-WARN-USA-SCAN	
19	1	454200	DECAL AIR RAMP CONTROL	
20	1	1993452	DECAL AIR RAMP PRESSURE	
21	2	NA	DECAL TRAILER MODEL NUMBER	



TOWMASTER
LITCHFIELD, MN

THIS DRAWING AND ITS CONTENTS ARE THE EXCLUSIVE PROPERTY OF TOWMASTER INC. AND SHALL NOT BE DISCLOSED TO OTHERS EXCEPT AS AUTHORIZED THROUGH WRITTEN CONSENT FROM TOWMASTER INC.

TOLERANCES: .0	±.1	THIRD ANGLE PROJECTION	WELD SYMBOLS
UNLESS .00	±.06		
OTHERWISE .000	±.010		
SPECIFIED ANGLES	±1°		

SURFACE AREA: 360127.15 IN.SQ.
WEIGHT: 10907.64 LBS.

PART NAME: DECAL LAYOUT LARGE DO AIR TILT

DATE: 08/08/17
DO NOT SCALE

DESIGNED BY: RB
DETAILED BY: RB

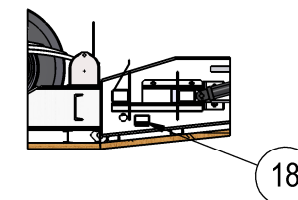
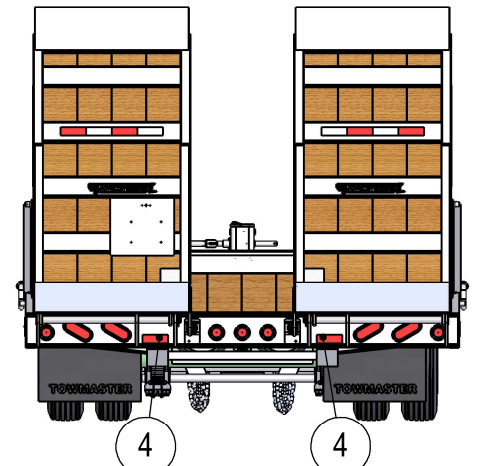
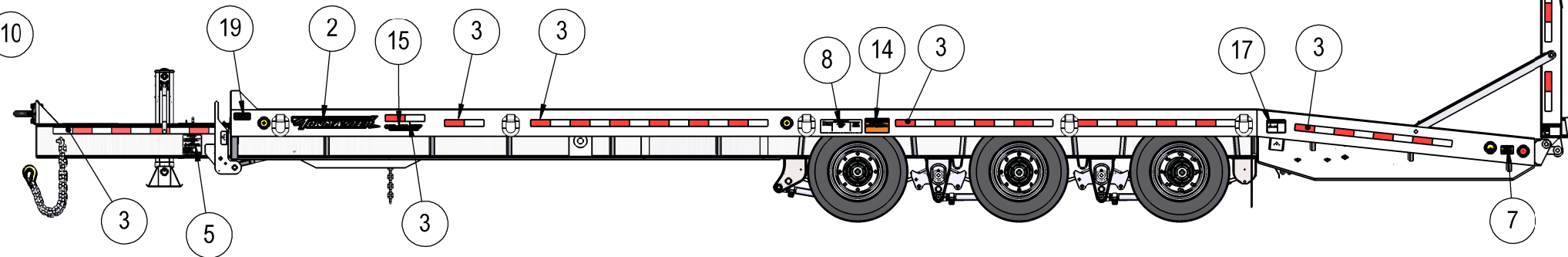
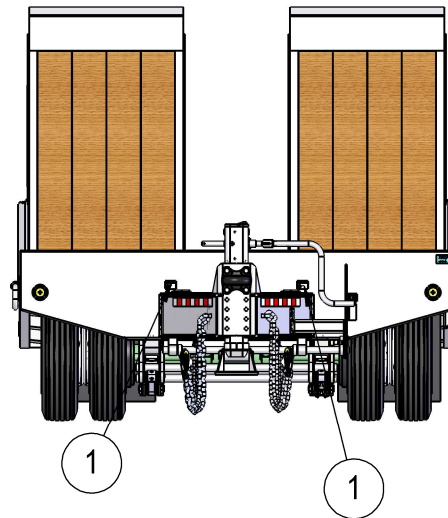
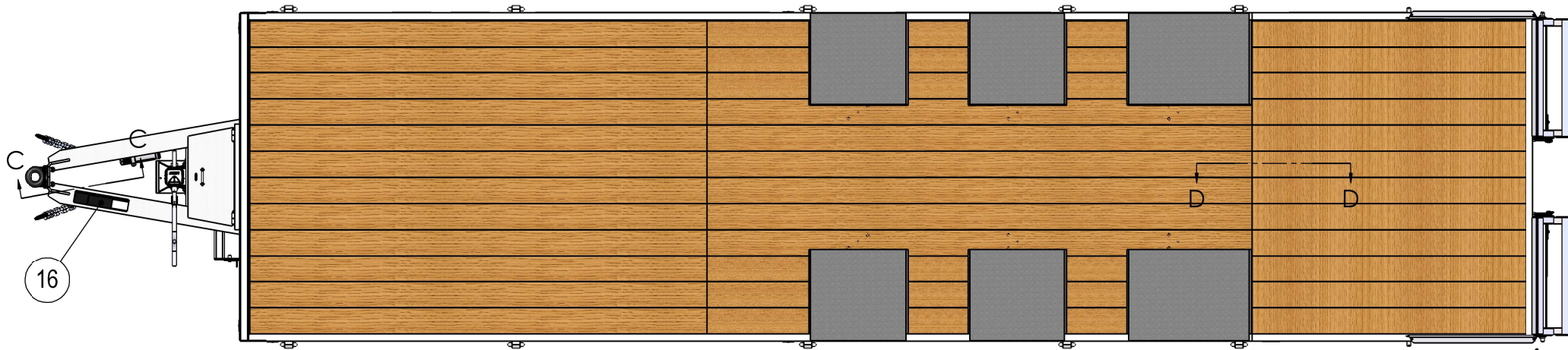
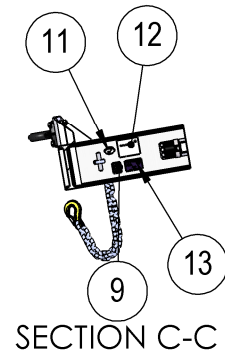
SHEET: 1/1
PART NUMBER: 1998013

DECAL KIT #456212

NOTES:

- 1.) CONSPICUITY TAPE MUST START AT FURTHEST MOST FRONT PART OF THE TRAILER STARTING WITH WHITE AND ALTERNATING (WHITE, RED) THROUGHOUT THE TRAILER RUNNING AS SEAMLESS AS POSSIBLE. ALL CONSPICUITY TAPE IS TO COVER VERTICAL PERIMETER OF THE TRAILER HORIZONTALLY. IF NEEDING TO CUT BECAUSE OF LIGHTS, D-RINGS, STAKE POCKETS, DECALS, ETC, CUT LINES MUST BE WHERE THE WHITE/RED MEET. IF ENDING IN A WHITE THE NEXT COLOR MUST BE A RED AND VICE-VERSA.
- 2.) THE EDGE OF A WHITE REFLECTIVE TAPE SHALL NOT BE LOCATED CLOSER THAN 3" TO EDGE OF A RED LAMP.
- 3.) THE EDGE OF A RED REFLECTIVE TAPE SHALL NOT BE LOCATED CLOSER THAN 3" TO EDGE OF A AMBER LAMP.
- 4.) LAYOUT TO BE USED ON THE FOLLOWING TRAILER: T-50T-A
- 5.) SEE RAMP DECAL LAYOUT FOR LOCATION OF DECAL FOR THE RAMPS.

ITEM	QTY.	PART NUMBER	DESCRIPTION	NOTES
1	2	450011	DECAL DANGER PINCH POINT	
2	2	450016	DECAL, LARGE TOWMASTER 27	
3	50	450050	REFLECTIVE TAPE 2" RED/WHITE	
4	2	450050	REFLECTIVE TAPE 2" RED	
5	1	450269	DECAL, WARNING-TILT DECK LATCH LEVEL GND	
6	1	450281	DECAL AIR TILT OPERATION	
7	1	450285	DECAL ABS INDICATOR	SUPPLIED BY VENDOR
8	1	450286	DECAL DEXTER TORQUE SPEC 22.5K	SUPPLIED BY VENDOR
9	1	450291	DECAL PPG	SUPPLIED BY VENDOR
10	1	450293	DECAL MIN DOT	SUPPLIED BY VENDOR
11	1	450294	DECAL QUALITY	
12	1	450295	DECAL SERIAL NUMBER	
13	1	450297	DECAL TREDIT	SUPPLIED BY VENDOR
14	1	450299	DECAL HUTCHENS SUSP TORQUE REQUIRMENTS	SUPPLIED BY VENDOR
15	2	450705	DECAL, TOWMASTER TRAILERS.COM	
16	1	452820C	DECAL DANG-CAUT-WARN-USA-SCAN	
17	1	454200	DECAL AIR RAMP CONTROL	
18	1	1993452	DECAL AIR RAMP PRESSURE	
19	2	NA	DECAL TRAILER MODEL	



TOWMASTER
LITCHFIELD, NH

THIS DRAWING AND ITS CONTENTS ARE THE EXCLUSIVE PROPERTY OF TOWMASTER INC. AND SHALL NOT BE DISCLOSED TO OTHERS EXCEPT AS AUTHORIZED THROUGH WRITTEN CONSENT FROM TOWMASTER INC.

TOLERANCES -0 UNLESS OTHERWISE SPECIFIED	±.1 ±.06 ±.010 ±1"		THIRD ANGLE PROJECTION		WELD SYMBOLS
--	-----------------------------	--	------------------------	--	--------------

SURFACE AREA: 400666.60 IN ²	WEIGHT: 12409.15 LBS	DATE: 08/10/17	DESIGNED BY: RB	SHEET: 1/1	PART NAME: DECAL LAYOUT T-50T-A	PART NUMBER: 1998014
---	----------------------	----------------	-----------------	------------	---------------------------------	----------------------

DECAL KIT #456212