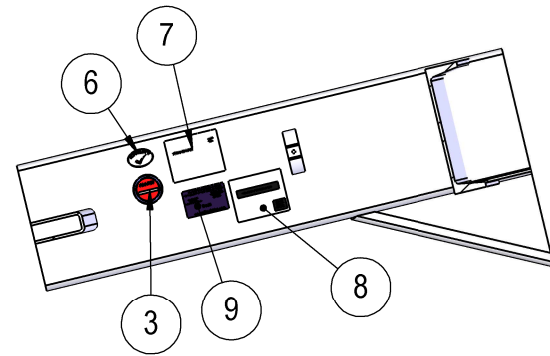


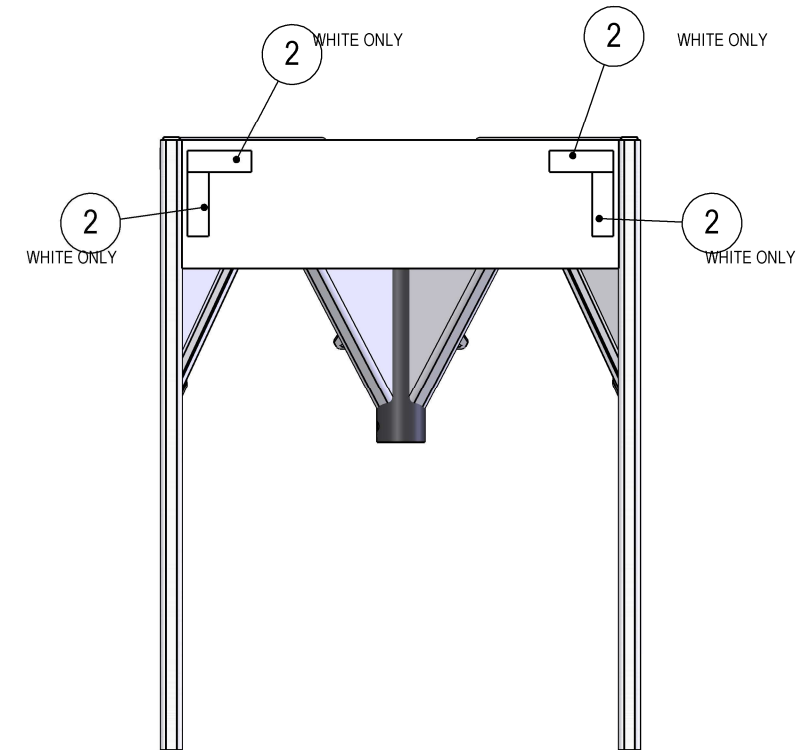
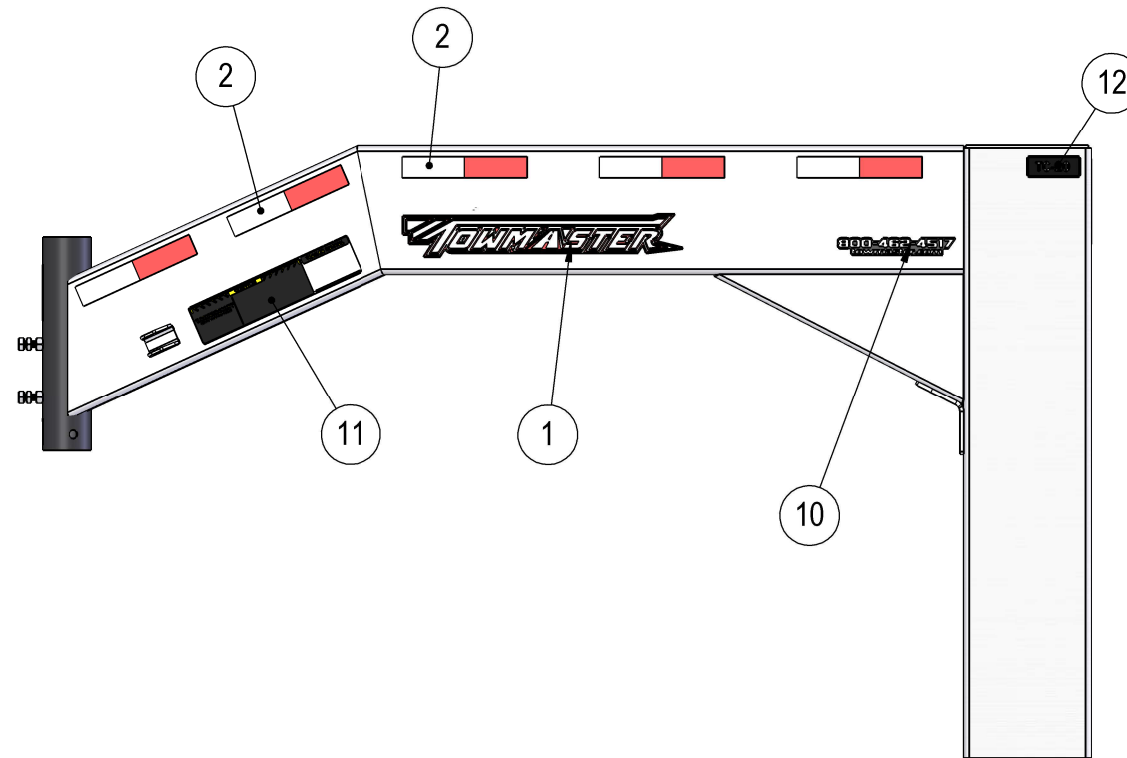
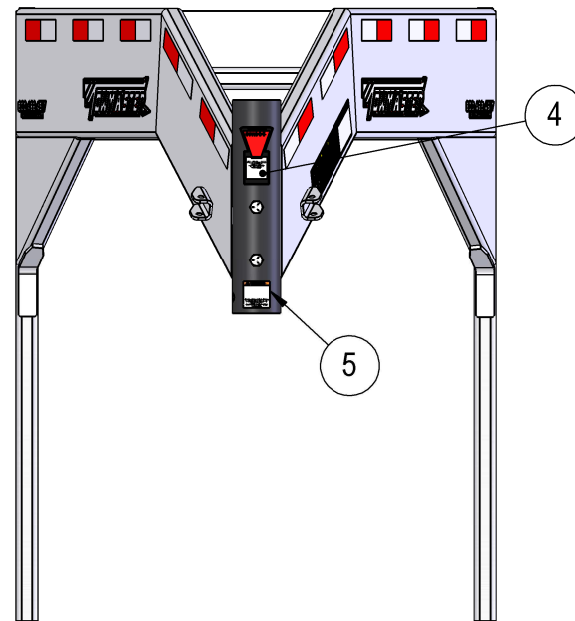
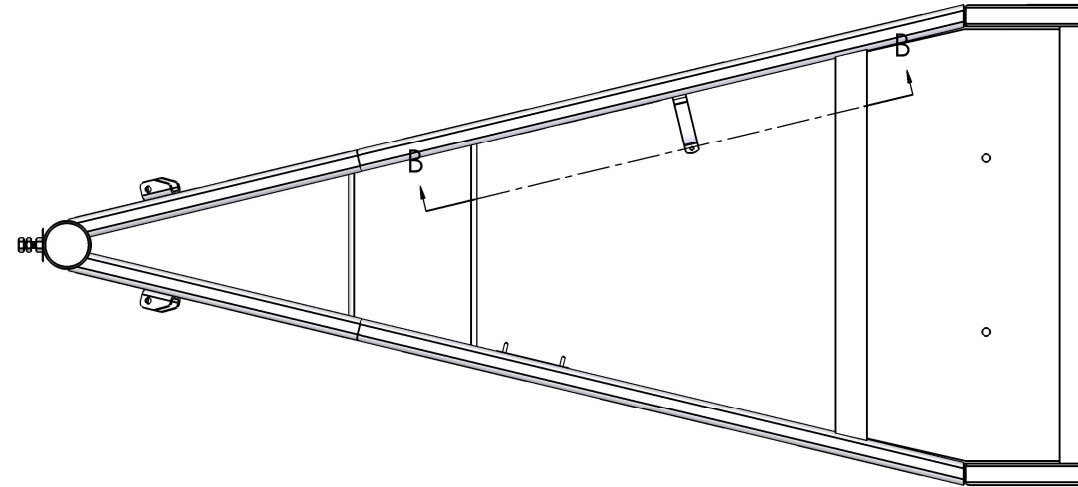
NOTES:

- 1.) CONSPICUITY TAPE MUST START AT FURTHEST MOST FRONT PART OF THE TRAILER STARTING WITH WHITE AND ALTERNATING (WHITE, RED) THROUGHOUT THE TRAILER RUNNING AS SEAMLESS AS POSSIBLE. ALL CONSPICUITY TAPE IS TO COVER VERTICAL PERIMETER OF THE TRAILER HORIZONTALLY. IF NEEDING TO CUT BECAUSE OF LIGHTS, D-RINGS, STAKE POCKETS, DECALS, ETC, CUT LINES MUST BE WHERE THE WHITE/RED MEET. IF ENDING IN A WHITE THE NEXT COLOR MUST BE A RED AND VICE-VERSA.
- 2.) LAYOUT TO BE USED ON THE FOLLOWING TRAILER: ALL A-FRAME GOOSENECKS

| ITEM | QTY. | PART NUMBER | DESCRIPTION | NOTES |
|------|------|-------------|-----------------------------------|--------------------|
| 1 | 2 | 450016 | DECAL, LARGE TOWMASTER 27 | |
| 2 | 14 | 450050 | REFLECTIVE TAPE 2" RED/WHITE | |
| 3 | 1 | 450112 | DECAL, NATM COMPLIANCE | SUPPLIED BY VENDOR |
| 4 | 1 | 450283 | DECAL BULLDOG | SUPPLIED BY VENDOR |
| 5 | 1 | 450287 | DECAL WARNING 2 5/16 BALL COUPLER | SUPPLIED BY VENDOR |
| 6 | 1 | 450294 | DECAL QUALITY | |
| 7 | 1 | 450295 | DECAL SERIAL NUMBER | |
| 8 | 1 | 450296 | DECAL TIRE INFORMATION | SUPPLIED BY VENDOR |
| 9 | 1 | 450297 | DECAL TREDIT | SUPPLIED BY VENDOR |
| 10 | 2 | 450705 | DECAL, TOWMASTER TRAILERS.COM | |
| 11 | 1 | 452820C | DECAL DANG-CAUT-WARN-USA-SCAN | |
| 12 | 2 | NA | DECAL TRAILER MODEL NUMBER | |



SECTION B-B



TOWMASTER
LITCHFIELD, MN

THIS DRAWING AND ITS CONTENTS ARE THE EXCLUSIVE PROPERTY OF TOWMASTER INC. AND SHALL NOT BE DISCLOSED TO OTHERS EXCEPT AS AUTHORIZED THROUGH WRITTEN CONSENT FROM TOWMASTER INC.

| | | | |
|------------------|-------|----------------------------|------------------|
| TOLERANCES .0 | ±.1 | THIRD ANGLE PROJECTION | WELD SYMBOLS |
| UNLESS .00 | ±.06 | | |
| OTHERWISE .000 | ±.010 | | |
| SPECIFIED ANGLES | ±1° | | |

| | |
|----------------|----------------------|
| SURFACE AREA: | PART NAME: |
| IN SQ. | DECAL LAYOUT A FRAME |
| WEIGHT: 804.28 | LBS. |

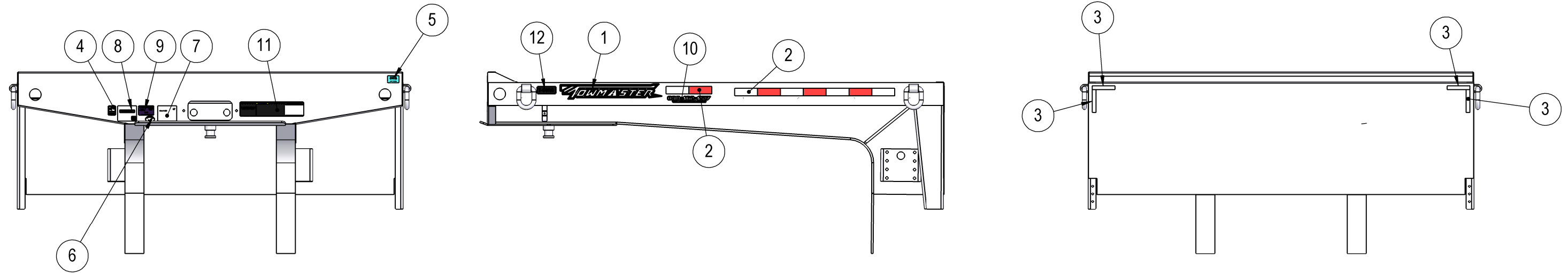
| | | | |
|----------------|-----------------|------------|----------------------|
| DATE: 08/17/17 | DESIGNED BY: RB | SHEET: 1/1 | PART NUMBER: 1998040 |
| DO NOT SCALE | DETAILED BY: RB | | |

DECAL KIT #456205

NOTES:

- 1.) CONSPICUITY TAPE MUST START AT FURTHEST MOST FRONT PART OF THE TRAILER STARTING WITH WHITE AND ALTERNATING (WHITE, RED) THROUGHOUT THE TRAILER RUNNING AS SEAMLESS AS POSSIBLE. ALL CONSPICUITY TAPE IS TO COVER VERTICAL PERIMETER OF THE TRAILER HORIZONTALLY. IF NEEDING TO CUT BECAUSE OF LIGHTS, D-RINGS, STAKE POCKETS, DECALS, ETC, CUT LINES MUST BE WHERE THE WHITE/RED MEET. IF ENDING IN A WHITE THE NEXT COLOR MUST BE A RED AND VICE-VERSA.
- 2.) LAYOUT TO BE USED ON THE FOLLOWING TRAILER: ALL RG GOOSENECKS

| ITEM | QTY. | PART NUMBER | DESCRIPTION | NOTES |
|------|------|-------------|-------------------------------|----------------------------------|
| 1 | 2 | 450016 | DECAL, LARGE TOWMASTER 27 | |
| 2 | 10 | 450050 | REFLECTIVE TAPE 2" RED/WHITE | |
| 3 | 4 | 450052 | REFLECTIVE TAPE 2" WHITE | |
| 4 | 1 | 450291 | DECAL PPG | SUPPLIED BY VENDOR |
| 5 | 1 | 450293 | DECAL MIN DOT | SUPPLIED BY VENDOR (IF REQUIRED) |
| 6 | 1 | 450294 | DECAL QUALITY | SUPPLIED BY VENDOR |
| 7 | 1 | 450295 | DECAL SERIAL NUMBER | SUPPLIED BY VENDOR |
| 8 | 1 | 450296 | DECAL TIRE INFORMATION | SUPPLIED BY VENDOR |
| 9 | 1 | 450297 | DECAL TREDIT | SUPPLIED BY VENDOR |
| 10 | 2 | 450705 | DECAL, TOWMASTER TRAILERS.COM | |
| 11 | 1 | 452820C | DECAL DANG-CAUT-WARN-USA-SCAN | |
| 12 | 2 | NA | DECAL TRAILER MODEL NUMBER | |



TOWMASTER
LITCHFIELD, MN

THIS DRAWING AND ITS CONTENTS ARE THE EXCLUSIVE PROPERTY OF TOWMASTER INC. AND SHALL NOT BE DISCLOSED TO OTHERS EXCEPT AS AUTHORIZED THROUGH WRITTEN CONSENT FROM TOWMASTER INC.

| | | | |
|------------------|-------|----------------------------|------------------|
| TOLERANCES: .0 | ±.1 | THIRD ANGLE PROJECTION | WELD SYMBOLS |
| UNLESS .00 | ±.06 | | |
| OTHERWISE .000 | ±.010 | | |
| SPECIFIED ANGLES | ±1° | | |

| | |
|----------------------|--------------------|
| SURFACE AREA: | PART NAME: |
| IN SQ. | DECAL LAYOUT RG GN |
| WEIGHT: 1537.92 LBS. | |

DECAL KIT #456205

| | | | |
|----------------|-----------------|------------|----------------------|
| DATE: 08/28/17 | DESIGNED BY: RB | SHEET: 1/1 | PART NUMBER: 1998042 |
| DO NOT SCALE | DETAILED BY: RB | | |