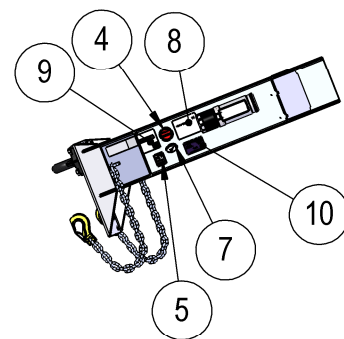


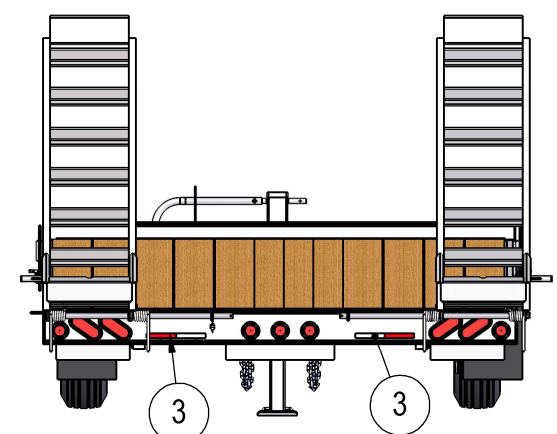
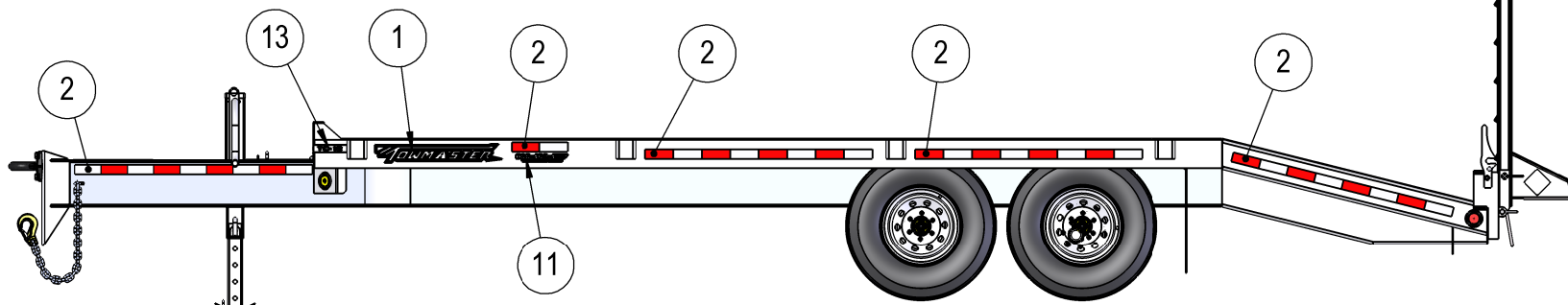
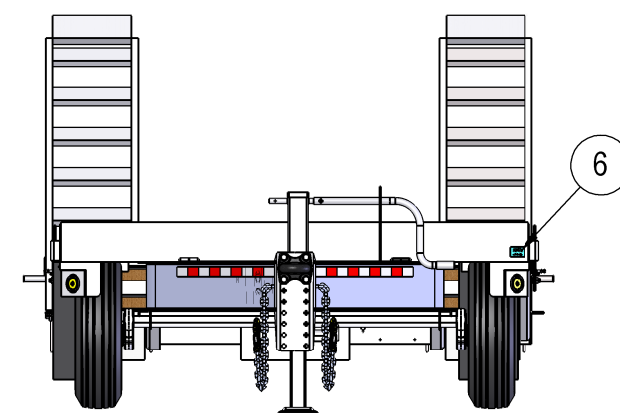
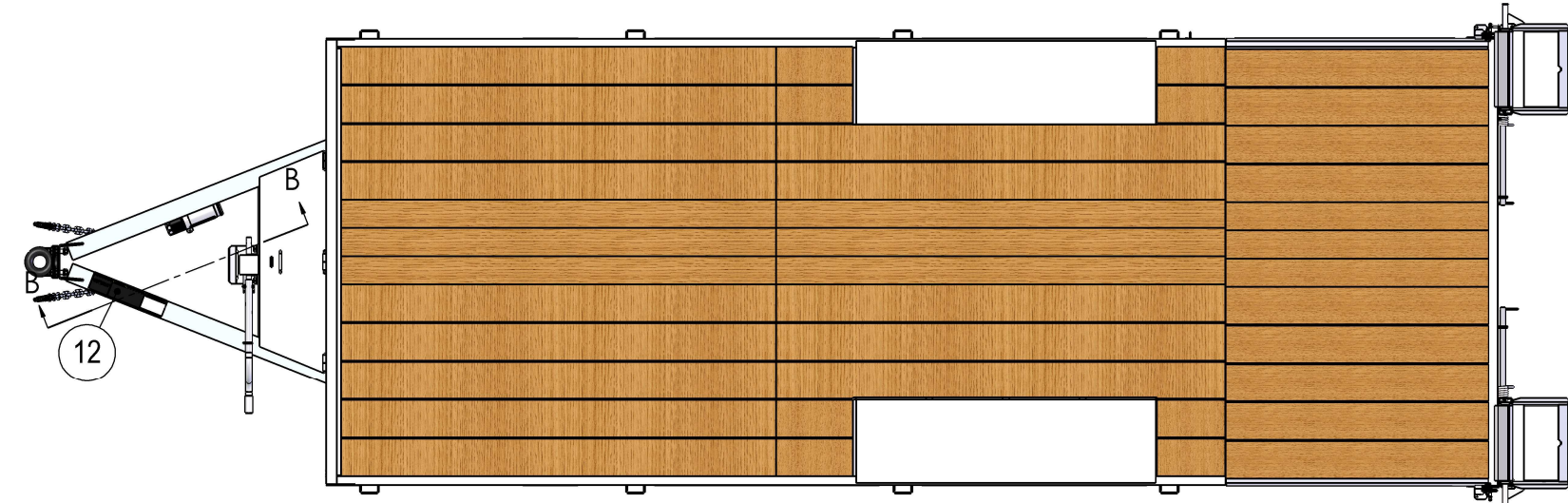
NOTES:

- 1.) CONSPICUITY TAPE MUST START AT FURTHEST MOST FRONT PART OF THE TRAILER STARTING WITH WHITE AND ALTERNATING (WHITE, RED) THROUGHOUT THE TRAILER RUNNING AS SEAMLESS AS POSSIBLE. ALL CONSPICUITY TAPE IS TO COVER VERTICAL PERIMETER OF THE TRAILER HORIZONTALLY. IF NEEDING TO CUT BECAUSE OF LIGHTS, D-RINGS, STAKE POCKETS, DECALS, ETC, CUT LINES MUST BE WHERE THE WHITE/RED MEET. IF ENDING IN A WHITE THE NEXT COLOR MUST BE A RED AND VICE-VERSA.
- 2.) THE EDGE OF WHITE REFLECTIVE TAPE SHALL NOT BE LOCATED CLOSER THAN 3" TO EDGE OF RED LAMP.
- 3.) THE EDGE OF RED REFLECTIVE TAPE SHALL NOT BE LOCATED CLOSER THAN 3" TO EDGE OF AMBER LAMP.
- 4.) LAYOUT TO BE USED ON THE FOLLOWING TRAILER: TC-9, TC-10, TC-12, TC-14
- 5.) SEE RAMP DECAL LAYOUT FOR LOCATION OF DECAL FOR THE RAMPS.

ITEM	QTY.	PART NUMBER	DESCRIPTION	NOTES
1	2	450016	DECAL, LARGE TOWMASTER 27	
2	36	450050	REFLECTIVE TAPE 2" RED/WHITE	
3	2	450052	REFLECTIVE TAPE, 1" RED/WHITE	
4	1	450112	DECAL, NATM COMPLIANCE	SUPPLIED BY VENDOR
5	1	450291	DECAL PPG	SUPPLIED BY VENDOR
6	1	450293	DECAL MIN DOT	SUPPLIED BY VENDOR
7	1	450294	DECAL QUALITY	SUPPLIED BY VENDOR
8	1	450295	DECAL SERIAL NUMBER	SUPPLIED BY VENDOR
9	1	450296	DECAL TIRE INFORMATION	SUPPLIED BY VENDOR
10	1	450297	DECAL TREDIT	SUPPLIED BY VENDOR
11	2	450705	DECAL, TOWMASTER TRAILERS.COM	
12	1	452820C	DECAL DANG-CAUT-WARN-USA-SCAN	
13	2	NA	DECAL TRAILER MODEL NUMBER	



SECTION B-B



TOWMASTER
LITCHFIELD, MN

THIS DRAWING AND ITS CONTENTS ARE THE EXCLUSIVE PROPERTY OF TOWMASTER INC. AND SHALL NOT BE DISCLOSED TO OTHERS EXCEPT AS AUTHORIZED THROUGH WRITTEN CONSENT FROM TOWMASTER INC.

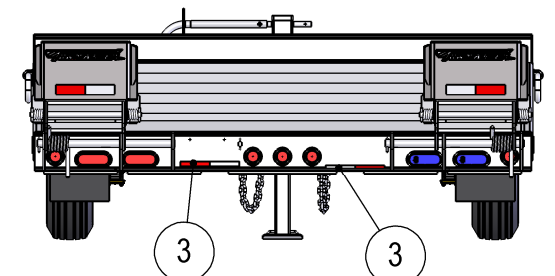
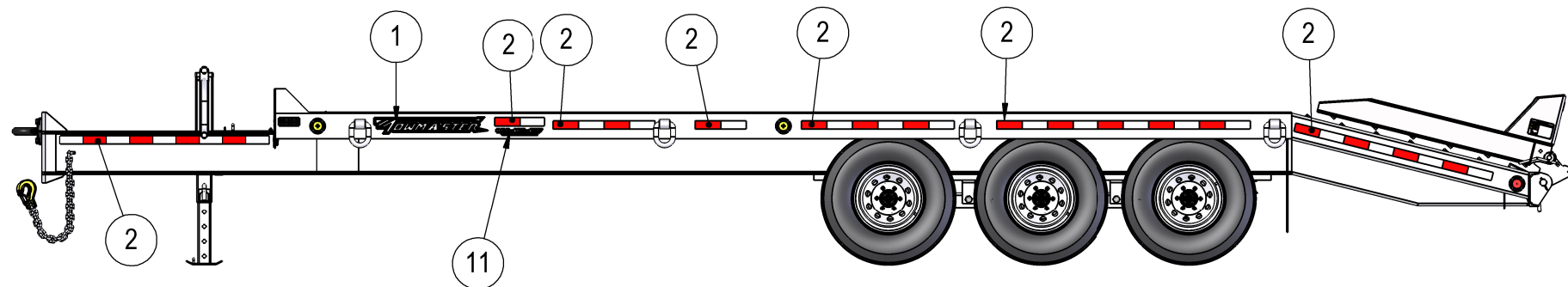
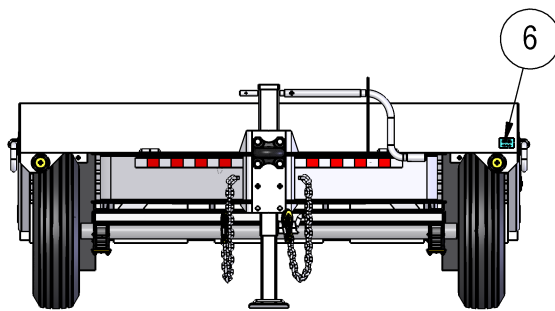
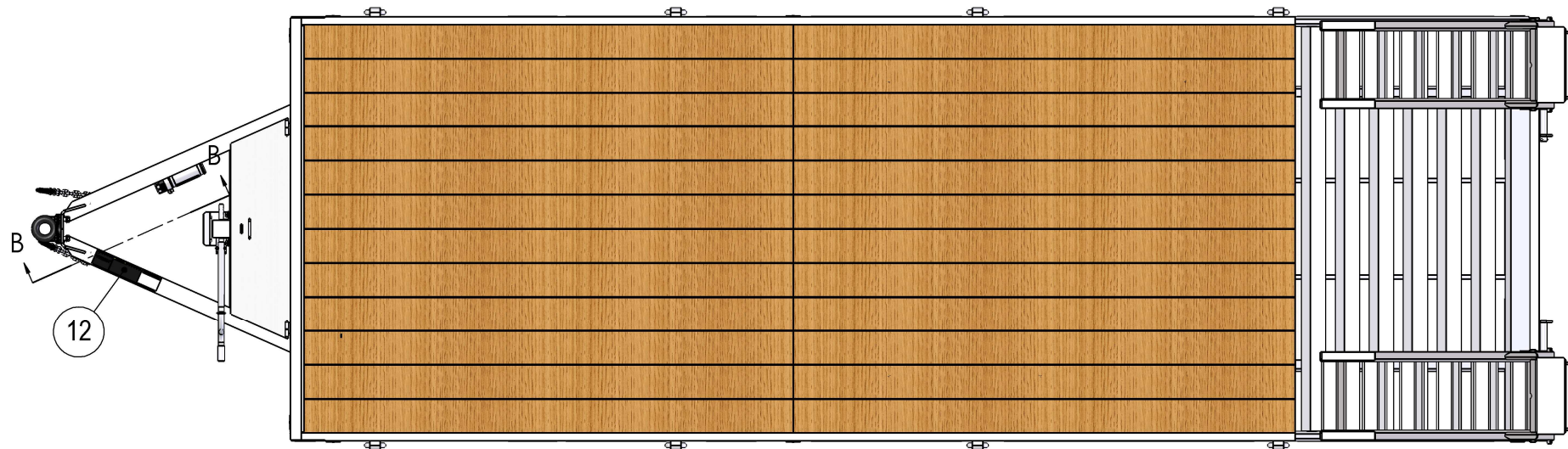
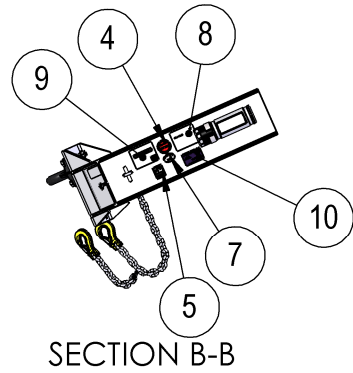
TOLERANCES: .0 UNLESS OTHERWISE SPECIFIED	.000	±.1 UNLESS OTHERWISE SPECIFIED	±.010	THIRD ANGLE PROJECTION	WELD SYMBOLS
SURFACE AREA: 164782.23 IN.SQ.		PART NAME: DECAL LAYOUT TC SM DO			
WEIGHT: 3772.20 LB.		DATE: 08/07/17	DESIGNED BY: RB	SHEET: 1/1	PART NUMBER: 1998015
DO NOT SCALE		DETAILED BY: RB			

DECAL KIT #456205

NOTES:

- 1.) CONSPICUITY TAPE MUST START AT FURTHEST MOST FRONT PART OF THE TRAILER STARTING WITH WHITE AND ALTERNATING (WHITE, RED) THROUGHOUT THE TRAILER RUNNING AS SEAMLESS AS POSSIBLE. ALL CONSPICUITY TAPE IS TO COVER VERTICAL PERIMETER OF THE TRAILER HORIZONTALLY. IF NEEDING TO CUT BECAUSE OF LIGHTS, D-RINGS, STAKE POCKETS, DECALS, ETC, CUT LINES MUST BE WHERE THE WHITE/RED MEET. IF ENDING IN A WHITE THE NEXT COLOR MUST BE A RED AND VICE-VERSA.
- 2.) THE EDGE OF WHITE REFLECTIVE TAPE SHALL NOT BE LOCATED CLOSER THAN 3" TO EDGE OF RED LAMP.
- 3.) THE EDGE OF RED REFLECTIVE TAPE SHALL NOT BE LOCATED CLOSER THAN 3" TO THE EDGE OF A AMBER LAMP.
- 4.) LAYOUT TO BE USED ON THE FOLLOWING TRAILER: TC-16-3, TC-18-3

ITEM	Default/ QTY.	PART NUMBER	DESCRIPTION	NOTES
1	2	450016	DECAL, LARGE TOWMASTER 27	
2	42	450050	REFLECTIVE TAPE 2" RED/WHITE	
3	2	450052	REFLECTIVE TAPE, 1" RED/WHITE	
4	1	450112	DECAL, NATM COMPLIANCE	SUPPLIED BY VENDOR
5	1	450291	DECAL PPG	SUPPLIED BY VENDOR
6	1	450293	DECAL MIN DOT	SUPPLIED BY VENDOR
7	1	450294	DECAL QUALITY	SUPPLIED BY VENDOR
8	1	450295	DECAL SERIAL NUMBER	SUPPLIED BY VENDOR
9	1	450296	DECAL TIRE INFORMATION	SUPPLIED BY VENDOR
10	1	450297	DECAL TREDIT	SUPPLIED BY VENDOR
11	2	450705	DECAL, TOWMASTER TRAILERS.COM	
12	1	452820C	DECAL DANG-CAUT-WARN-USA-SCAN	
13	2	NA	DECAL TRAILER MODEL NUMBER	



TOWMASTER
LITCHFIELD, MN

THIS DRAWING AND ITS CONTENTS ARE THE EXCLUSIVE PROPERTY OF TOWMASTER INC. AND SHALL NOT BE DISCLOSED TO OTHERS EXCEPT AS AUTHORIZED THROUGH WRITTEN CONSENT FROM TOWMASTER INC.

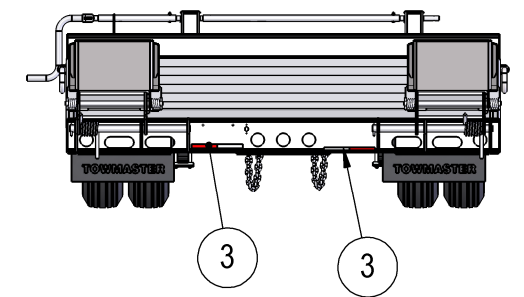
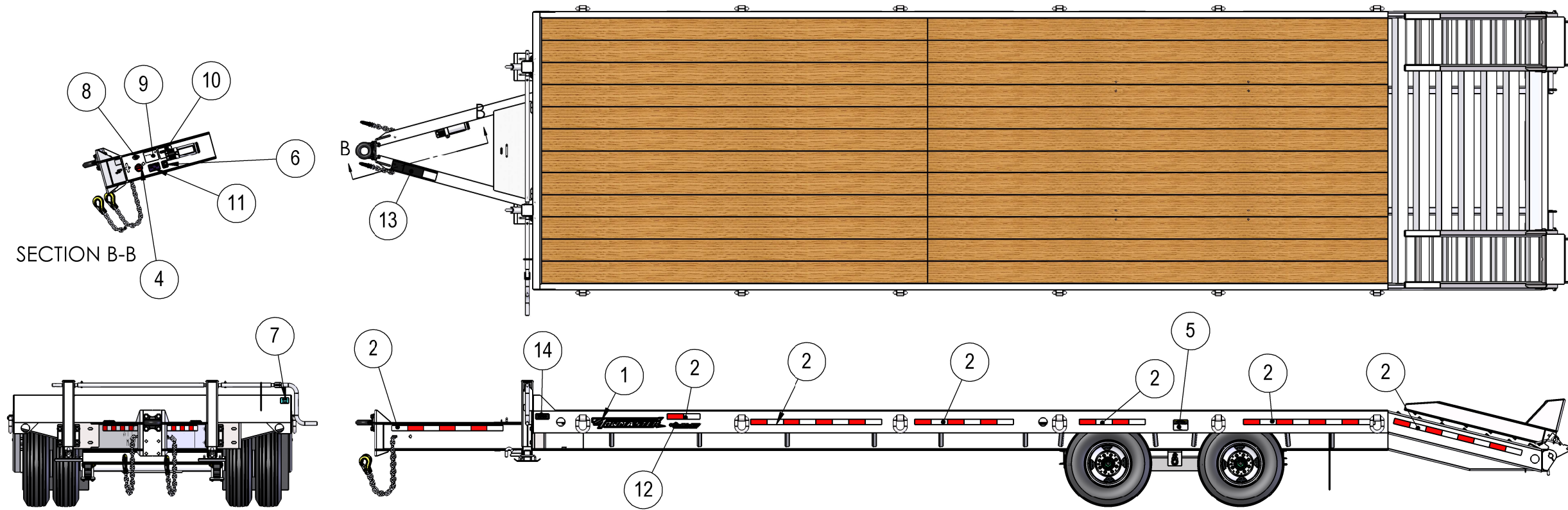
TOLERANCES UNLESS OTHERWISE SPECIFIED	.0 ±.1 .00 ±.06 .000 ±.010 ANGLES ±1°		THIRD ANGLE PROJECTION		WELD SYMBOLS
SURFACE AREA: 219305.45	IN.SQ.	PART NAME: DECAL LAYOUT TC-18-3 DECK OVER			
WEIGHT:5322.54	LB.S	DATE: 08/08/17	DESIGNED BY:RB	SHEET: 1/1	PART NUMBER: 1998016
DO NOT SCALE		DATE: 08/08/17	DESIGNED BY:RB	SHEET: 1/1	PART NUMBER: 1998016

DECAL KIT #456205

NOTES:

- 1.) CONSPICUITY TAPE MUST START AT FURTHEST MOST FRONT PART OF THE TRAILER STARTING WITH WHITE AND ALTERNATING (WHITE, RED) THROUGHOUT THE TRAILER RUNNING AS SEAMLESS AS POSSIBLE. ALL CONSPICUITY TAPE IS TO COVER VERTICAL PERIMETER OF THE TRAILER HORIZONTALLY. IF NEEDING TO CUT BECAUSE OF LIGHTS, D-RINGS, STAKE POCKETS, DECALS, ETC, CUT LINES MUST BE WHERE THE WHITE/RED MEET. IF ENDING IN A WHITE THE NEXT COLOR MUST BE A RED AND VICE-VERSA.
- 2.) THE EDGE OF WHITE REFLECTIVE TAPE SHALL NOT BE CLOSER THAN 3" TO THE EDGE OF A RED LAMP.
- 3.) THE EDGE OF RED REFLECTIVE TAPE SHALL NOT BE CLOSER THAN 3" TO THE EDGE OF A AMBLE LAMP.
- 4.) LAYOUT TO BE USED ON THE FOLLOWING TRAILER: TC-16, TC-20, TC-24, T-20, T-24
- 5.) SEE RAMP DECAL LAYOUT FOR LOCATION OF DECAL FOR THE RAMPS

ITEM	QTY.	PART NUMBER	DESCRIPTION	NOTES
1	2	450016	DECAL, LARGE TOWMASTER 27	
2	44	450050	REFLECTIVE TAPE 2" RED/WHITE	
3	2	450052	REFLECTIVE TAPE, 1" RED/WHITE	
4	1	450112	DECAL, NATM COMPLIANCE	SUPPLIED BY VENDOR
5	1	450282	DECAL 10K TO 15K TORQUE REQUIREMENTS	SUPPLIED BY VENDOR
6	1	450291	DECAL PPG	SUPPLIED BY VENDOR
7	1	450293	DECAL MIN DOT	SUPPLIED BY VENDOR
8	1	450294	DECAL QUALITY	SUPPLIED BY VENDOR
9	1	450295	DECAL SERIAL NUMBER	SUPPLIED BY VENDOR
10	1	450296	DECAL TIRE INFORMATION	SUPPLIED BY VENDOR
11	1	450297	DECAL TREDIT	SUPPLIED BY VENDOR
12	2	450705	DECAL, TOWMASTER TRAILERS.COM	
13	1	452820C	DECAL DANG-CAUT-WARN-USA-SCAN	
14	2	NA	DECAL TRAILER MODEL	



TOWMASTER
LITCHFIELD, MN

THIS DRAWING AND ITS CONTENTS ARE THE EXCLUSIVE PROPERTY OF TOWMASTER INC. AND SHALL NOT BE DISCLOSED TO OTHERS EXCEPT AS AUTHORIZED THROUGH WRITTEN CONSENT FROM TOWMASTER INC.

TOLERANCES: .0	±.1	THIRD ANGLE PROJECTION	WELD SYMBOLS
UNLESS .00	±.06		
OTHERWISE .000	±.010		
SPECIFIED ANGLES	±1°		

SURFACE AREA: 268460.02 IN²

WEIGHT: 6374.38 LB

DATE: 08/14/17

DO NOT SCALE

PART NAME: DECAL LAYOUT TC LG DO GD SUSP

DESIGNED BY: RB

DETAILED BY: RB

SHEET: 1/1

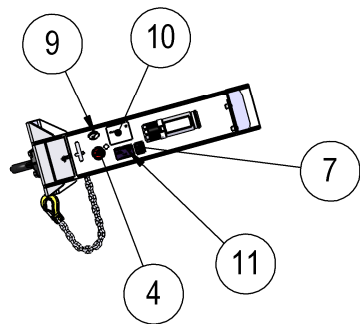
PART NUMBER: 1998017

DECAL KIT #456205

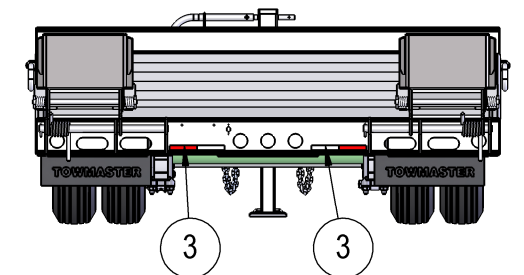
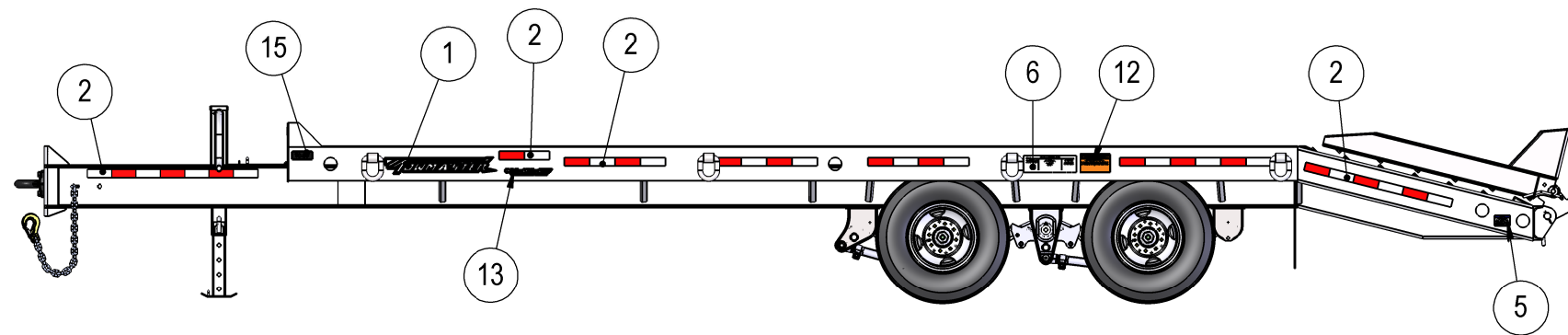
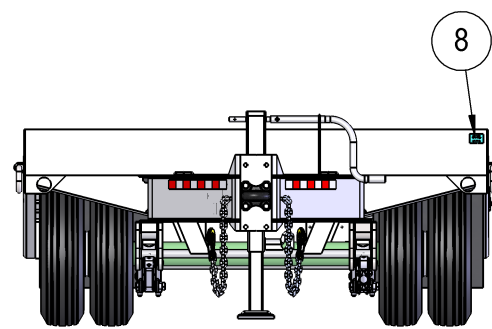
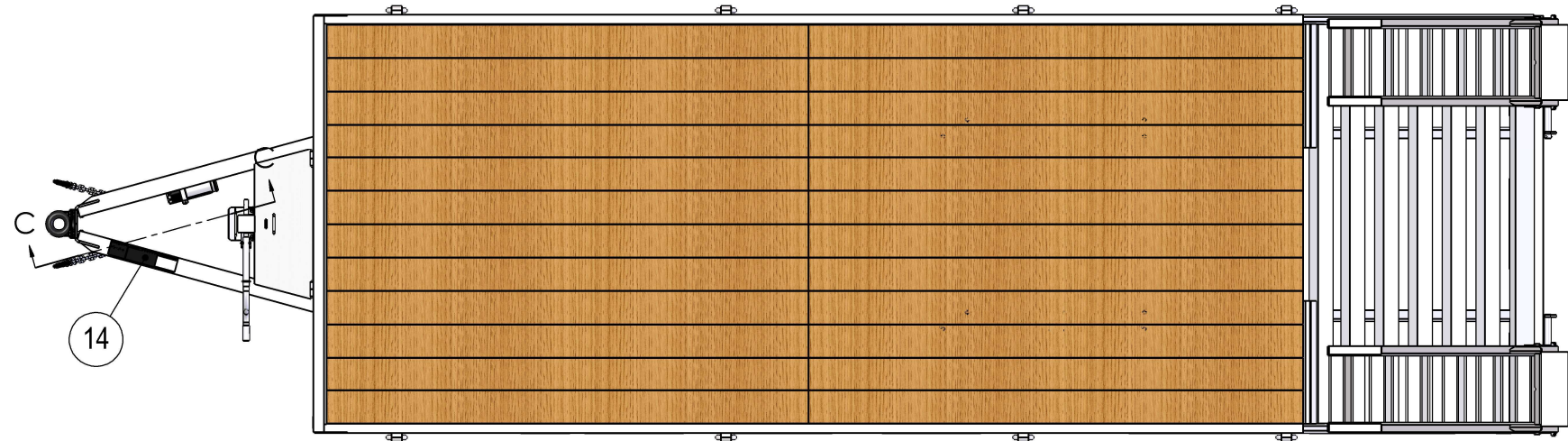
NOTES:

- 1.) CONSPICUITY TAPE MUST START AT FURTHEST MOST FRONT PART OF THE TRAILER STARTING WITH WHITE AND ALTERNATING (WHITE, RED) THROUGHOUT THE TRAILER RUNNING AS SEAMLESS AS POSSIBLE. ALL CONSPICUITY TAPE IS TO COVER VERTICAL PERIMETER OF THE TRAILER HORIZONTALLY. IF NEEDING TO CUT BECAUSE OF LIGHTS, D-RINGS, STAKE POCKETS, DECALS, ETC, CUT LINES MUST BE WHERE THE WHITE/RED MEET. IF ENDING IN A WHITE THE NEXT COLOR MUST BE A RED AND VICE-VERSA.
- 2.) THE EDGE OF WHITE REFLECTIVE TAPE SHALL NOT BE CLOSER THAN 3" FROM THE EDGE OF A RED LAMP.
- 3.) THE EDGE OF RED REFLECTIVE TAPE SHALL NOT BE CLOSER THAN 3" FROM THE EDGE OF A AMBER LAMP.
- 4.) LAYOUT TO BE USED ON THE FOLLOWING TRAILER: TC-20, TC-24, T-20, T-24
- 5.) SEE RAMP DECAL LAYOUT FOR LOCATION OF DECAL FOR THE RAMPS.

ITEM	QTY.	PART NUMBER	DESCRIPTION	NOTES
1	2	450016	DECAL, LARGE TOWMASTER 27	
2	34	450050	REFLECTIVE TAPE 2" RED/WHITE	
3	2	450052	REFLECTIVE TAPE, 1" RED/WHITE	
4	1	450112	DECAL, NATM COMPLIANCE	SUPPLIED BY VENDOR
5	1	450285	DECAL ABS INDICATOR	
6	2	450286	DECAL DEXTER TORQUE SPEC 22.5K	SUPPLIED BY VENDOR
7	1	450291	DECAL PPG	SUPPLIED BY VENDOR
8	1	450293	DECAL MIN DOT	SUPPLIED BY VENDOR
9	1	450294	DECAL QUALITY	SUPPLIED BY VENDOR
10	1	450295	DECAL SERIAL NUMBER	SUPPLIED BY VENDOR
11	1	450297	DECAL TREDIT	SUPPLIED BY VENDOR
12	2	450299	DECAL HUTCHENS SUSP TORQUE REQUIRMENTS	SUPPLIED BY VENDOR
13	2	450705	DECAL, TOWMASTER TRAILERS.COM	
14	1	452820C	DECAL DANG-CAUT-WARN-USA-SCAN	
15	2	NA	DECAL TRAILER MODEL	



SECTION C-C



TOWMASTER
LITCHFIELD, MN

THIS DRAWING AND ITS CONTENTS ARE THE EXCLUSIVE PROPERTY OF TOWMASTER INC. AND SHALL NOT BE DISCLOSED TO OTHERS EXCEPT AS AUTHORIZED THROUGH WRITTEN CONSENT FROM TOWMASTER INC.

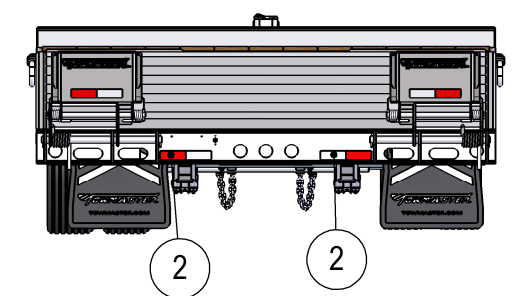
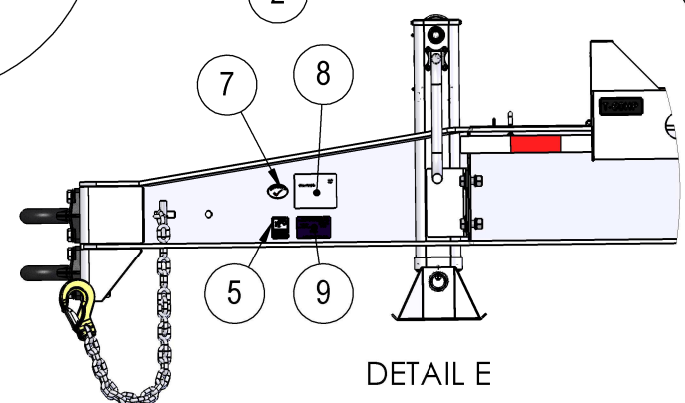
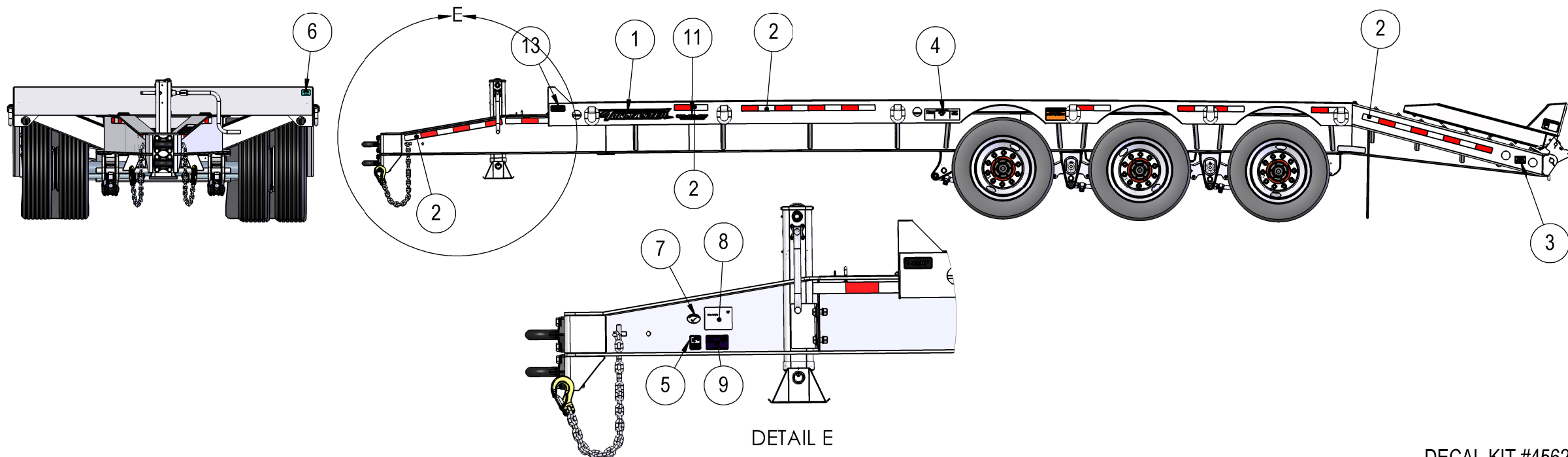
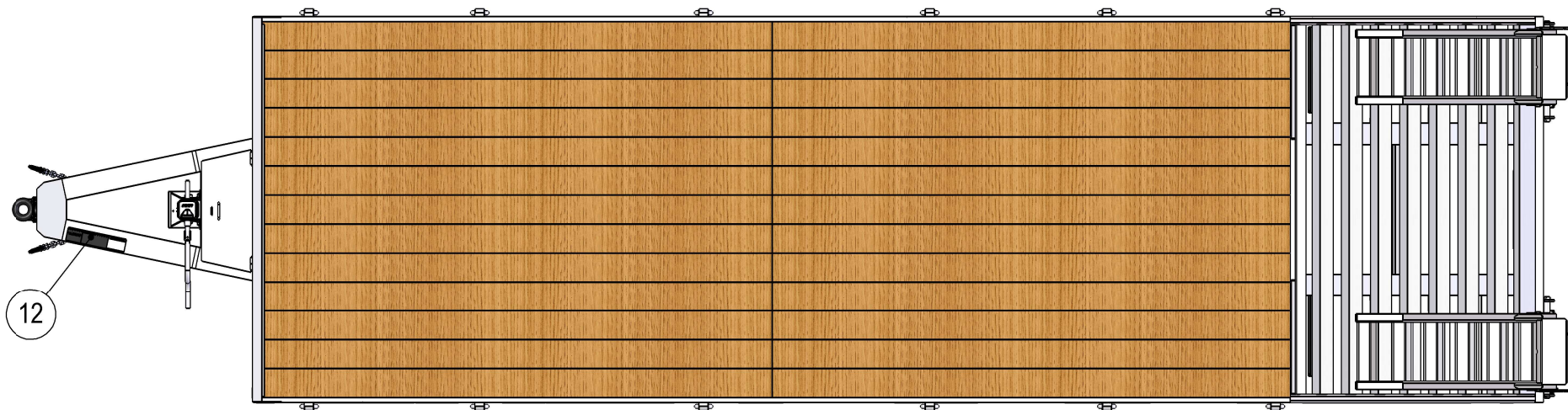
TOLERANCES UNLESS OTHERWISE SPECIFIED	.0 ±.1 .00 ±.06 .000 ±.010 ANGLES ±1°	THIRD ANGLE PROJECTION	WELD SYMBOLS
SURFACE AREA: 234359.33 IN.SQ.	PART NAME: DECAL LAYOUT TC LG DO HUTCH		
WEIGHT:5835.28.LBS	DATE: 08/17/17	DESIGNED BY:RB	SHEET: PART NUMBER: 1/1 1998018
DO NOT SCALE	DETAILED BY: RB		

DECAL KIT #456205

NOTES:

- 1.) CONSPICUITY TAPE MUST START AT FURTHEST MOST FRONT PART OF THE TRAILER STARTING WITH WHITE AND ALTERNATING (WHITE, RED) THROUGHOUT THE TRAILER RUNNING AS SEAMLESS AS POSSIBLE. ALL CONSPICUITY TAPE IS TO COVER VERTICAL PERIMETER OF THE TRAILER HORIZONTALLY. IF NEEDING TO CUT BECAUSE OF LIGHTS, D-RINGS, STAKE POCKETS, DECALS, ETC, CUT LINES MUST BE WHERE THE WHITE/RED MEET. IF ENDING IN A WHITE THE NEXT COLOR MUST BE A RED AND VICE-VERSA.
- 2.) THE EDGE OF WHITE REFLECTIVE TAPE SHALL NOT BE CLOSER THAN 3" FROM THE EDGE OF A RED LAMP.
- 3.) THE EDGE OF RED REFLECTIVE TAPE SHALL NOT BE CLOSER THAN 3" FROM THE EDGE OF A AMBER LAMP.
- 4.) LAYOUT TO BE USED ON THE FOLLOWING TRAILER: T-60HP
- 5.) SEE RAMP DEAL LAYOUT FOR LOCATION OF DECALS FOR THE RAMPS.

ITEM	QTY.	PART NUMBER	DESCRIPTION	NOTES
1	2	450016	DECAL, LARGE TOWMASTER 27	
2	38	450050	REFLECTIVE TAPE 2" RED/WHITE	
3	1	450285	DECAL ABS INDICATOR	
4	1	450286	DECAL DEXTER TORQUE SPEC 22.5K	SUPPLIED BY VENDOR
5	1	450291	DECAL PPG	SUPPLIED BY VENDOR
6	1	450293	DECAL MIN DOT	SUPPLIED BY VENDOR
7	1	450294	DECAL QUALITY	SUPPLIED BY VENDOR
8	1	450295	DECAL SERIAL NUMBER	SUPPLIED BY VENDOR
9	1	450297	DECAL TREDIT	SUPPLIED BY VENDOR
10	1	450299	DECAL HUTCHENS SUSP TORQUE REQUIRMENTS	SUPPLIED BY VENDOR
11	2	450705	DECAL, TOWMASTER TRAILERS.COM	
12	1	452820C	DECAL DANG-CAUT-WARN-USA-SCAN	
13	2	NA	DECAL TRAILER MODEL	



DECAL KIT #456205

TOWMASTER
LITCHFIELD, MN

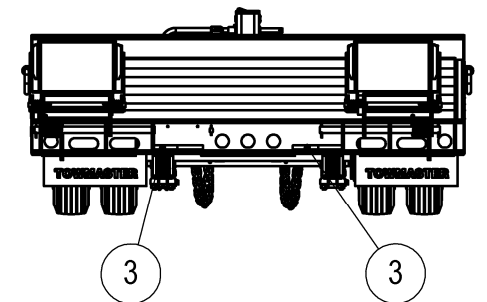
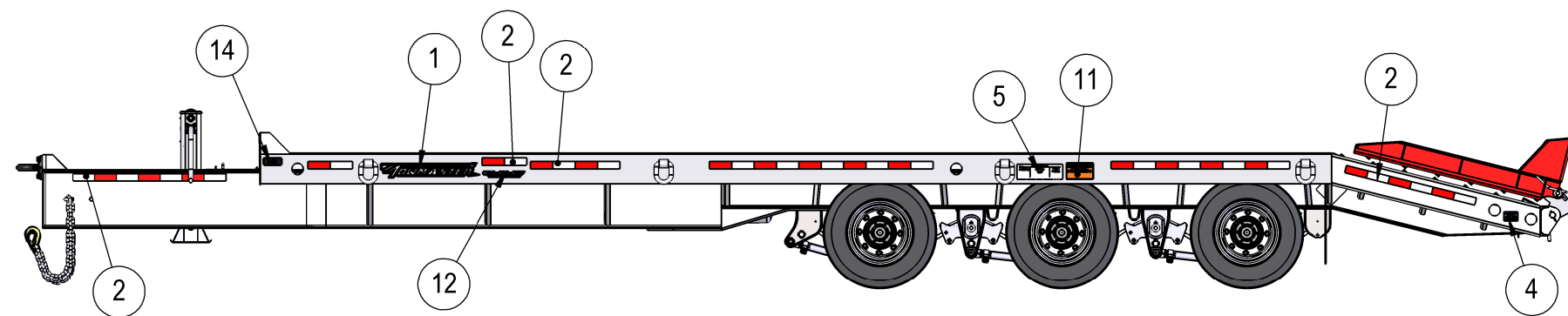
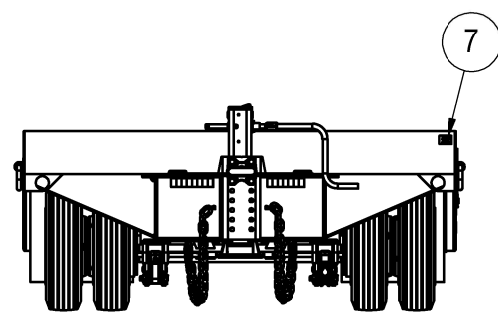
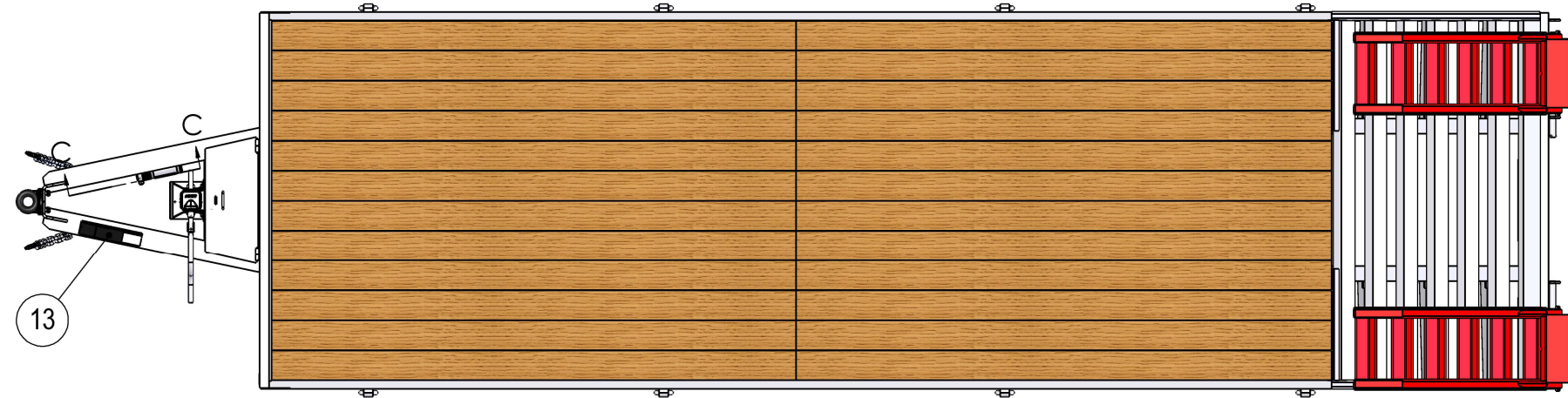
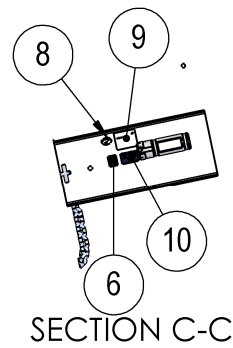
THIS DRAWING AND ITS CONTENTS ARE THE EXCLUSIVE PROPERTY OF TOWMASTER INC. AND SHALL NOT BE DISCLOSED TO OTHERS EXCEPT AS AUTHORIZED THROUGH WRITTEN CONSENT FROM TOWMASTER INC.

TOLERANCES UNLESS OTHERWISE SPECIFIED	.0 .00 .000	±.1 ±.06 ±.010	THIRD ANGLE PROJECTION	WELD SYMBOLS
SURFACE AREA: 364556.21	IN.SQ.	PART NAME: DECAL LAYOUT T-60HP	DATE: 08/11/17	DESIGNED BY: RB
WEIGHT: 11861.53	lbs.	DATE: 08/11/17	DESIGNED BY: RB	SHEET: 1/1
DO NOT SCALE		DATE: 08/11/17	DESIGNED BY: RB	PART NUMBER: 1998019

NOTES:

- 1.) CONSPICUITY TAPE MUST START AT FURTHEST MOST FRONT PART OF THE TRAILER STARTING WITH WHITE AND ALTERNATING (WHITE, RED) THROUGHOUT THE TRAILER RUNNING AS SEAMLESS AS POSSIBLE. ALL CONSPICUITY TAPE IS TO COVER VERTICAL PERIMETER OF THE TRAILER HORIZONTALLY. IF NEEDING TO CUT BECAUSE OF LIGHTS, D-RINGS, STAKE POCKETS, DECALS, ETC, CUT LINES MUST BE WHERE THE WHITE/RED MEET. IF ENDING IN A WHITE THE NEXT COLOR MUST BE A RED AND VICE-VERSA.
- 2.) THE EDGE OF WHITE REFLECTIVE TAPE SHALL NOT BE CLOSER THAN 3" TO THE EDGE OF A RED LAMP.
- 3.) THE EDGE OF RED REFLECTIVE TAPE SHALL NOT BE CLOSER THAN 3" TO THE EDGE OF A AMBER LAMP.
- 4.) LAYOUT TO BE USED ON THE FOLLOWING TRAILER: T-50
- 5.) SEE RAMP DECAL LAYOUT FOR LOCATION OF DECALS FOR THE RAMPS.

ITEM	QTY.	PART NUMBER	DESCRIPTION	NOTES
1	2	450016	DECAL, LARGE TOWMASTER 27	
2	40	450050	REFLECTIVE TAPE 2" RED/WHITE	
3	2	450052	REFLECTIVE TAPE, 1" RED/WHITE	
4	1	450285	DECAL ABS INDICATOR	
5	2	450286	DECAL DEXTER TORQUE SPEC 22.5K	SUPPLIED BY VENDOR
6	1	450291	DECAL PPG	SUPPLIED BY VENDOR
7	1	450293	DECAL MIN DOT	SUPPLIED BY VENDOR
8	1	450294	DECAL QUALITY	SUPPLIED BY VENDOR
9	1	450295	DECAL SERIAL NUMBER	SUPPLIED BY VENDOR
10	1	450297	DECAL TREDIT	SUPPLIED BY VENDOR
11	2	450299	DECAL HUTCHENS SUSP TORQUE REQUIRMENTS	SUPPLIED BY VENDOR
12	2	450705	DECAL, TOWMASTER TRAILERS.COM	
13	1	452820C	DECAL DANG-CAUT-WARN-USA-SCAN	
14	2	NA	DECAL TRAILER MODEL	



TOWMASTER
LITCHFIELD, NH

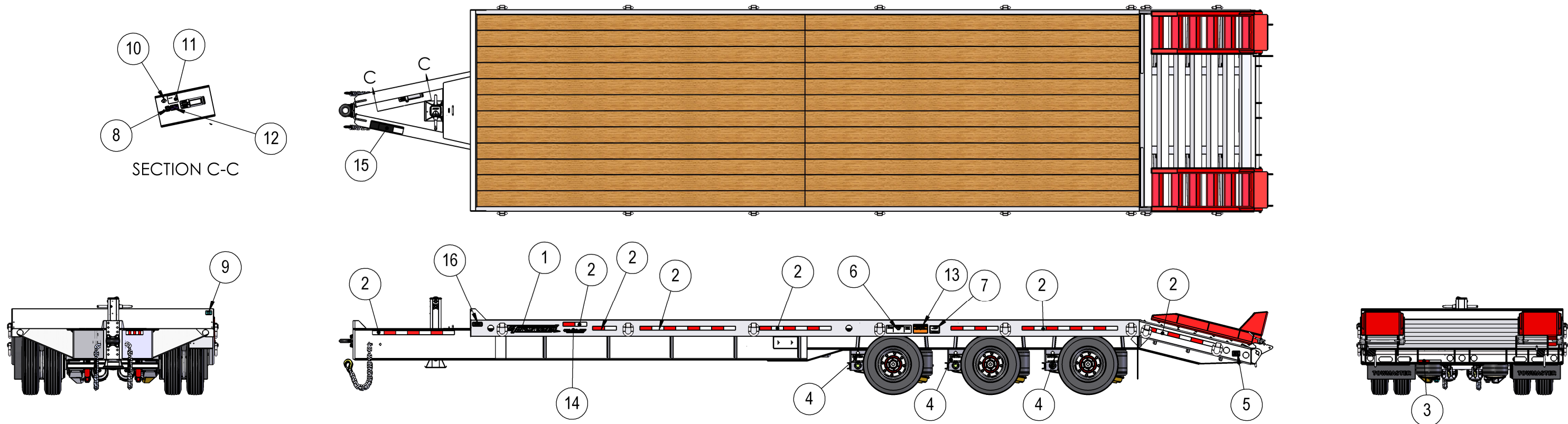
THIS DRAWING AND ITS CONTENTS ARE THE EXCLUSIVE PROPERTY OF TOWMASTER INC. AND SHALL NOT BE DISCLOSED TO OTHERS EXCEPT AS AUTHORIZED THROUGH WRITTEN CONSENT FROM TOWMASTER INC.

TOLERANCES: UNLESS OTHERWISE SPECIFIED	.0 .00 .000	±.1 ±.06 ±.010 ±1"		THIRD ANGLE PROJECTION		WELD SYMBOLS
SURFACE AREA: 328635.35	IN ²	PART NAME: DECAL LAYOUT T-50 DECK OVER				
WEIGHT:10260.36	LB	DATE: 08/17/17	DESIGNED BY:RB	SHEET: 1/1	PART NUMBER: 1998020	
DO NOT SCALE		DATE: 08/17/17	DESIGNED BY:RB	SHEET: 1/1	PART NUMBER: 1998020	

DECAL KIT #456205

- NOTES:**
- 1.) CONSPICUITY TAPE MUST START AT FURTHEST MOST FRONT PART OF THE TRAILER STARTING WITH WHITE AND ALTERNATING (WHITE, RED) THROUGHOUT THE TRAILER RUNNING AS SEAMLESS AS POSSIBLE. ALL CONSPICUITY TAPE IS TO COVER VERTICAL PERIMETER OF THE TRAILER HORIZONTALLY. IF NEEDING TO CUT BECAUSE OF LIGHTS, D-RINGS, STAKE POCKETS, DECALS, ETC, CUT LINES MUST BE WHERE THE WHITE/RED MEET. IF ENDING IN A WHITE THE NEXT COLOR MUST BE A RED AND VICE-VERSA.
 - 2.) THE EDGE OF WHITE REFLECTIVE TAPE SHOULD NOT BE CLOSER THAN 3" TO THE EDGE OF A RED LAMP.
 - 3.) THE EDGE OF RED REFLECTIVE TAPE SHOULD NOT BE CLOSER THAN 3" TO THE EDGE OF A AMBER LAMP.
 - 4.) LAYOUT TO BE USED ON THE FOLLOWING TRAILER: DB BVT'S

ITEM	QTY.	PART NUMBER	DESCRIPTION	NOTES
1	1	450016	DECAL, LARGE TOWMASTER 27	
2	22	450050	REFLECTIVE TAPE 2" RED/WHITE	
3	1	450052	REFLECTIVE TAPE, 1" RED/WHITE	
4	3	450284	DECAL RIDEWELL SUSPENSION	SUPPLIED BY VENDOR
5	1	450285	DECAL ABS INDICATOR	
6	1	450286	DECAL DEXTER TORQUE SPEC 22.5K	SUPPLIED BY VENDOR
7	1	450288	DECAL RIDEWELL SUSP TORQUE	SUPPLIED BY VENDOR
8	1	450291	DECAL PPG	SUPPLIED BY VENDOR
9	1	450293	DECAL MIN DOT	SUPPLIED BY VENDOR
10	1	450294	DECAL QUALITY	SUPPLIED BY VENDOR
11	1	450295	DECAL SERIAL NUMBER	SUPPLIED BY VENDOR
12	1	450297	DECAL TREDIT	SUPPLIED BY VENDOR
13	1	450299	DECAL HUTCHENS SUSP TORQUE REQUIRMENTS	SUPPLIED BY VENDOR
14	1	450705	DECAL, TOWMASTER TRAILERS.COM	
15	1	452820C	DECAL DANG-CAUT-WARN-USA-SCAN	
16	1	NA	DECAL TRAILER MODEL	



TOWMASTER
LITCHFIELD, MN

THIS DRAWING AND ITS CONTENTS ARE THE EXCLUSIVE PROPERTY OF TOWMASTER INC. AND SHALL NOT BE DISCLOSED TO OTHERS EXCEPT AS AUTHORIZED THROUGH WRITTEN CONSENT FROM TOWMASTER INC.

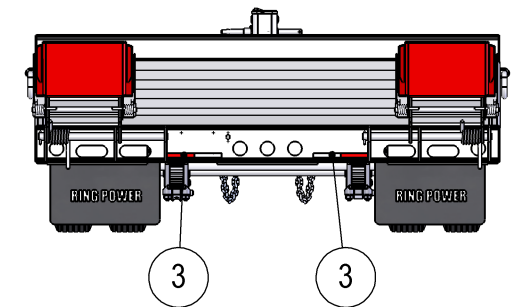
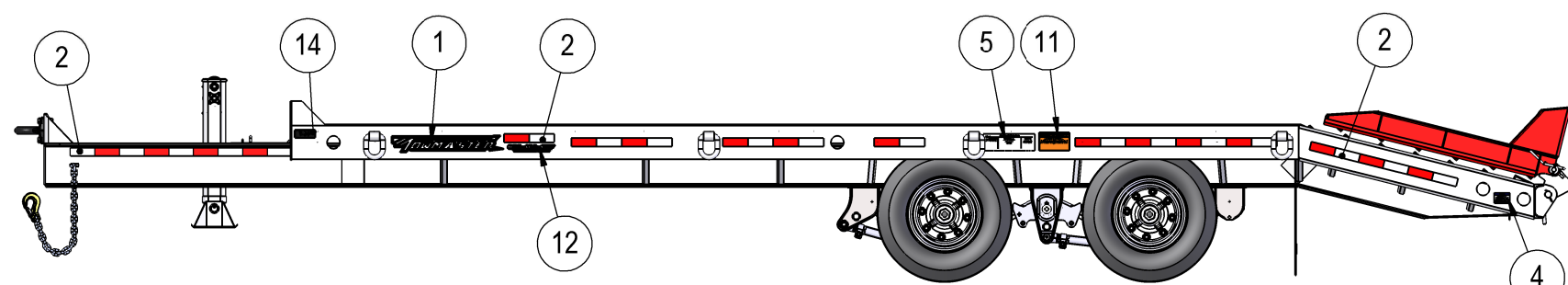
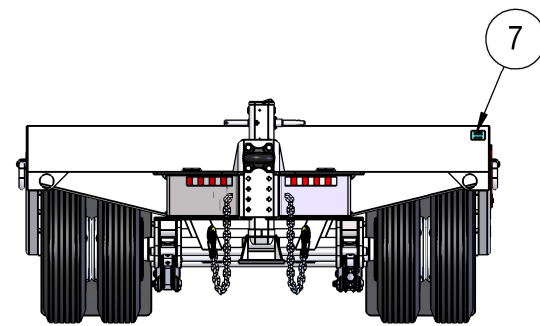
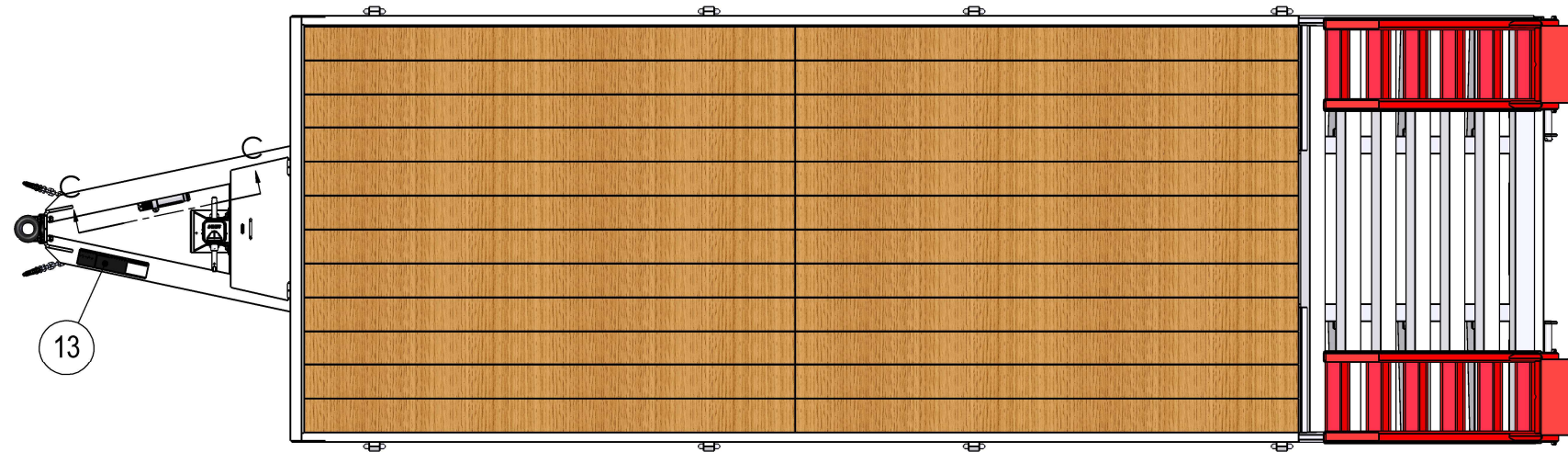
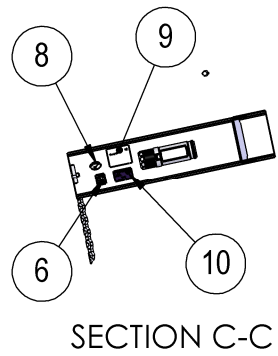
TOLERANCES: .0 ±.1 UNLESS .00 ±.06 OTHERWISE .000 ±.010 SPECIFIED ANGLES ±1°	THIRD ANGLE PROJECTION	WELD SYMBOLS
SURFACE AREA: 378370.84 IN ²	PART NAME: DECAL LAYOUT T-50 AIR RIDE	
WEIGHT: 14217.03 LBS	DATE: 08/18/17	DESIGNED BY: RB
DO NOT SCALE	DATE: 08/18/17	DESIGNED BY: RB
	SHEET: 1/1	PART NUMBER: 1998021

DECAL KIT #456205

NOTES:

- 1.) CONSPICUITY TAPE MUST START AT FURTHEST MOST FRONT PART OF THE TRAILER STARTING WITH WHITE AND ALTERNATING (WHITE, RED) THROUGHOUT THE TRAILER RUNNING AS SEAMLESS AS POSSIBLE. ALL CONSPICUITY TAPE IS TO COVER VERTICAL PERIMETER OF THE TRAILER HORIZONTALLY. IF NEEDING TO CUT BECAUSE OF LIGHTS, D-RINGS, STAKE POCKETS, DECALS, ETC, CUT LINES MUST BE WHERE THE WHITE/RED MEET. IF ENDING IN A WHITE THE NEXT COLOR MUST BE A RED AND VICE-VERSA.
- 2.) THE EDGE OF WHITE REFLECTIVE TAPE SHALL NOT BE CLOSER THAN 3" TO THE EDGE OF A RED LAMP.
- 3.) THE EDGE OF RED REFLECTIVE TAPE SHALL NOT BE CLOSER THAN 3" TO THE EDGE OF A AMBER LAMP.
- 4.) LAYOUT TO BE USED ON THE FOLLOWING TRAILER: T-30, T-40
- 5.) SEE RAMP DECAL LAYOUT FOR LOCATION OF DECALS FOR THE RAMPS.

ITEM	QTY.	PART NUMBER	DESCRIPTION	NOTES
1	2	450016	DECAL, LARGE TOWMASTER 27	
2	35	450050	REFLECTIVE TAPE 2" RED/WHITE	
3	2	450052	REFLECTIVE TAPE, 1" RED/WHITE	
4	1	450285	DECAL ABS INDICATOR	
5	1	450286	DECAL DEXTER TORQUE SPEC 22.5K	SUPPLIER BY VENDOR
6	1	450291	DECAL PPG	SUPPLIED BY VENDOR
7	1	450293	DECAL MIN DOT	SUPPLIED BY VENDOR
8	1	450294	DECAL QUALITY	SUPPLIED BY VENDOR
9	1	450295	DECAL SERIAL NUMBER	SUPPLIED BY VENDOR
10	1	450297	DECAL TREDIT	SUPPLIED BY VENDOR
11	1	450299	DECAL HUTCHENS SUSP TORQUE REQUIRMENTS	SUPPLIED BY VENDOR
12	2	450705	DECAL, TOWMASTER TRAILERS.COM	
13	1	452820C	DECAL DANG-CAUT-WARN-USA-SCAN	
14	2	NA	DECAL TRAILER MODEL NUMBER	



TOWMASTER
LITCHFIELD, MN

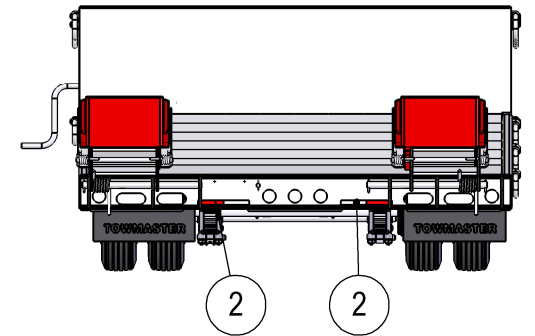
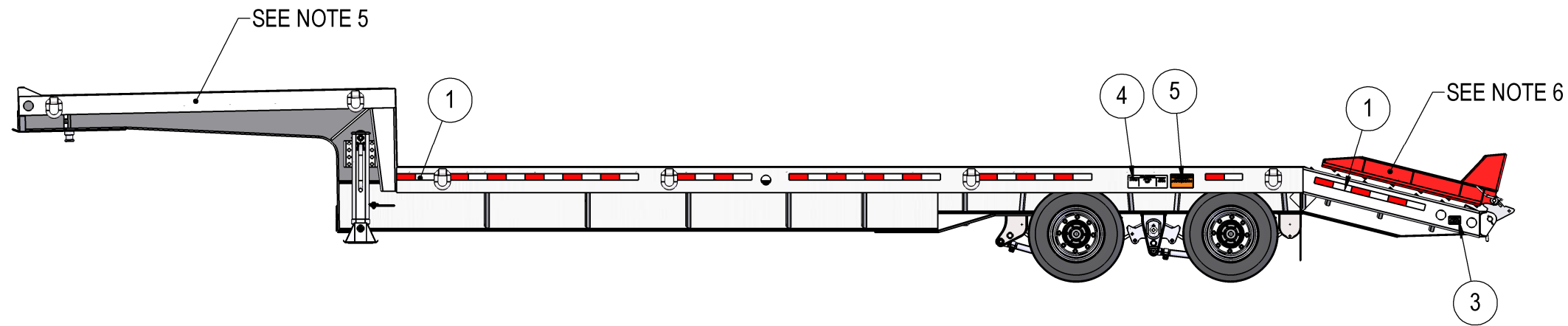
THIS DRAWING AND ITS CONTENTS ARE THE EXCLUSIVE PROPERTY OF TOWMASTER INC. AND SHALL NOT BE DISCLOSED TO OTHERS EXCEPT AS AUTHORIZED THROUGH WRITTEN CONSENT FROM TOWMASTER INC.

TOLERANCES: UNLESS OTHERWISE SPECIFIED	.0 ±.1 .00 ±.06 .000 ±.010 ANGLES ±1°		THIRD ANGLE PROJECTION		WELD SYMBOLS
SURFACE AREA: 255886.51	IN SQ	PART NAME: DECAL LAYOUT LG DO HUTCH SUSP			
WEIGHT: 7254.27	LB	DATE: 09/14/17	DESIGNED BY: RB	SHEET: 1/1	PART NUMBER: 1998024
DO NOT SCALE		DETAILED BY: RB			

DECAL KIT #456205

- NOTES:
- 1.) CONSPICUITY TAPE MUST START AT FURTHEST MOST FRONT PART OF THE TRAILER STARTING WITH WHITE AND ALTERNATING (WHITE, RED) THROUGHOUT THE TRAILER RUNNING AS SEAMLESS AS POSSIBLE. ALL CONSPICUITY TAPE IS TO COVER VERTICAL PERIMETER OF THE TRAILER HORIZONTALLY. IF NEEDING TO CUT BECAUSE OF LIGHTS, D-RINGS, STAKE POCKETS, DECALS, ETC, CUT LINES MUST BE WHERE THE WHITE/RED MEET. IF ENDING IN A WHITE THE NEXT COLOR MUST BE A RED AND VICE-VERSA.
 - 2.) THE EDGE OF WHITE REFLECTIVE TAPE SHALL NOT BE CLOSER THAN 3" TO THE EDGE OF A RED LAMP.
 - 3.) THE EDGE OF RED REFLECTIVE TAPE SHALL NOT BE CLOSER THAN 3" TO THE EDGE OF A AMBER LAMP.
 - 4.) LAYOUT TO BE USED ON THE FOLLOWING TRAILER: T-50RG, T-70RG TANDEM
 - 5.) SEE RG GOOSENECK DECAL LAYOUT.
 - 6.) SEE RAMP DECAL LAYOUT.

ITEM	QTY.	PART NUMBER	DESCRIPTION	NOTES
1	38	450050	REFLECTIVE TAPE 2" RED/WHITE	
2	2	450052	REFLECTIVE TAPE, 1" RED/WHITE	
3	1	450285	DECAL ABS INDICATOR	
4	1	450286	DECAL DEXTER TORQUE SPEC 22.5K	SUPPLIED BY VENDOR
5	1	450299	DECAL HUTCHENS SUSP TORQUE REQUIRMENTS	SUPPLIED BY VENDOR



TOWMASTER
LITCHFIELD, MN

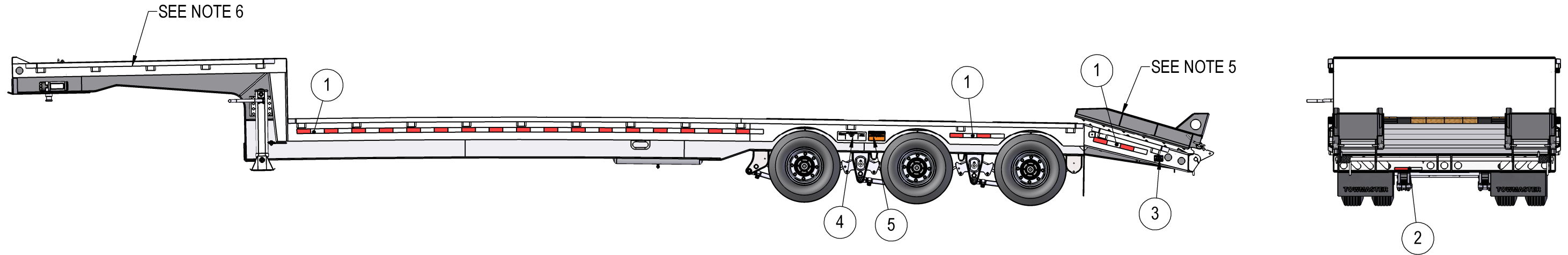
THIS DRAWING AND ITS CONTENTS ARE THE EXCLUSIVE PROPERTY OF TOWMASTER INC. AND SHALL NOT BE DISCLOSED TO OTHERS EXCEPT AS AUTHORIZED THROUGH WRITTEN CONSENT FROM TOWMASTER INC.

TOLERANCES -0 UNLESS OTHERWISE SPECIFIED	±.1 ±.06 ±.010 ±1"		THIRD ANGLE PROJECTION		WELD SYMBOLS
SURFACE AREA: 361634.67 IN ²	WEIGHT: 10688.32 ₅ LBS	PART NAME: DECAL LAYOUT RG TANDEM			
DATE: 08/28/17	DESIGNED BY: RB	SHEET: 1/1	PART NUMBER: 1998022		
DO NOT SCALE	DETAILED BY: RB				

NOTES:

- 1.) CONSPICUITY TAPE MUST START AT FURTHEST MOST FRONT PART OF THE TRAILER STARTING WITH WHITE AND ALTERNATING (WHITE, RED) THROUGHOUT THE TRAILER RUNNING AS SEAMLESS AS POSSIBLE. ALL CONSPICUITY TAPE IS TO COVER VERTICAL PERIMETER OF THE TRAILER HORIZONTALLY. IF NEEDING TO CUT BECAUSE OF LIGHTS, D-RINGS, STAKE POCKETS, DECALS, ETC, CUT LINES MUST BE WHERE THE WHITE/RED MEET. IF ENDING IN A WHITE THE NEXT COLOR MUST BE A RED AND VICE-VERSA.
- 2.) THE EDGE OF WHITE REFLECTIVE TAPE SHALL NOT BE CLOSER THAN 3" TO THE EDGE OF A RED LAMP.
- 3.) THE EDGE OF RED REFLECTIVE TAPE SHALL NOT BE CLOSER THAN 3" TO THE EDGE OF A AMBER LAMP.
- 4.) LAYOUT TO BE USED ON THE FOLLOWING TRAILER: T-50RG, T-70RG TRI AXLES
- 5.) SEE RAMP DECAL LAYOUT FOR LOCATION OF DECALS FOR THE RAMPS.
- 6.) SEE RG GOOSENECK DECAL LAYOUT PRINT.

ITEM	QTY.	PART NUMBER	DESCRIPTION	NOTES
1	23	450050	REFLECTIVE TAPE 2" RED/WHITE	
2	1	450052	REFLECTIVE TAPE, 1" RED/WHITE	
3	1	450285	DECAL ABS INDICATOR	
4	1	450286	DECAL DEXTER TORQUE SPEC 22.5K	SUPPLIED BY VENDOR
5	1	450299	DECAL HUTCHENS SUSP TORQUE REQUIRMENTS	SUPPLIED BY VENDOR



TOWMASTER
LITCHFIELD, MN

THIS DRAWING AND ITS CONTENTS ARE THE EXCLUSIVE PROPERTY OF TOWMASTER INC. AND SHALL NOT BE DISCLOSED TO OTHERS EXCEPT AS AUTHORIZED THROUGH WRITTEN CONSENT FROM TOWMASTER INC.

TOLERANCES UNLESS OTHERWISE SPECIFIED	.0 ±.1 .00 ±.06 .000 ±.010 ANGLES ±1°		THIRD ANGLE PROJECTION		WELD SYMBOLS
SURFACE AREA: 431496.99	IN SQ	PART NAME: DECAL LAYOUT RG TRI AXLE			
WEIGHT:13846.15	LS				
DATE: 08/30/17	DESIGNED BY:RB	SHEET: 1/1	PART NUMBER: 1998023		
DO NOT SCALE	DETAILED BY: RB				