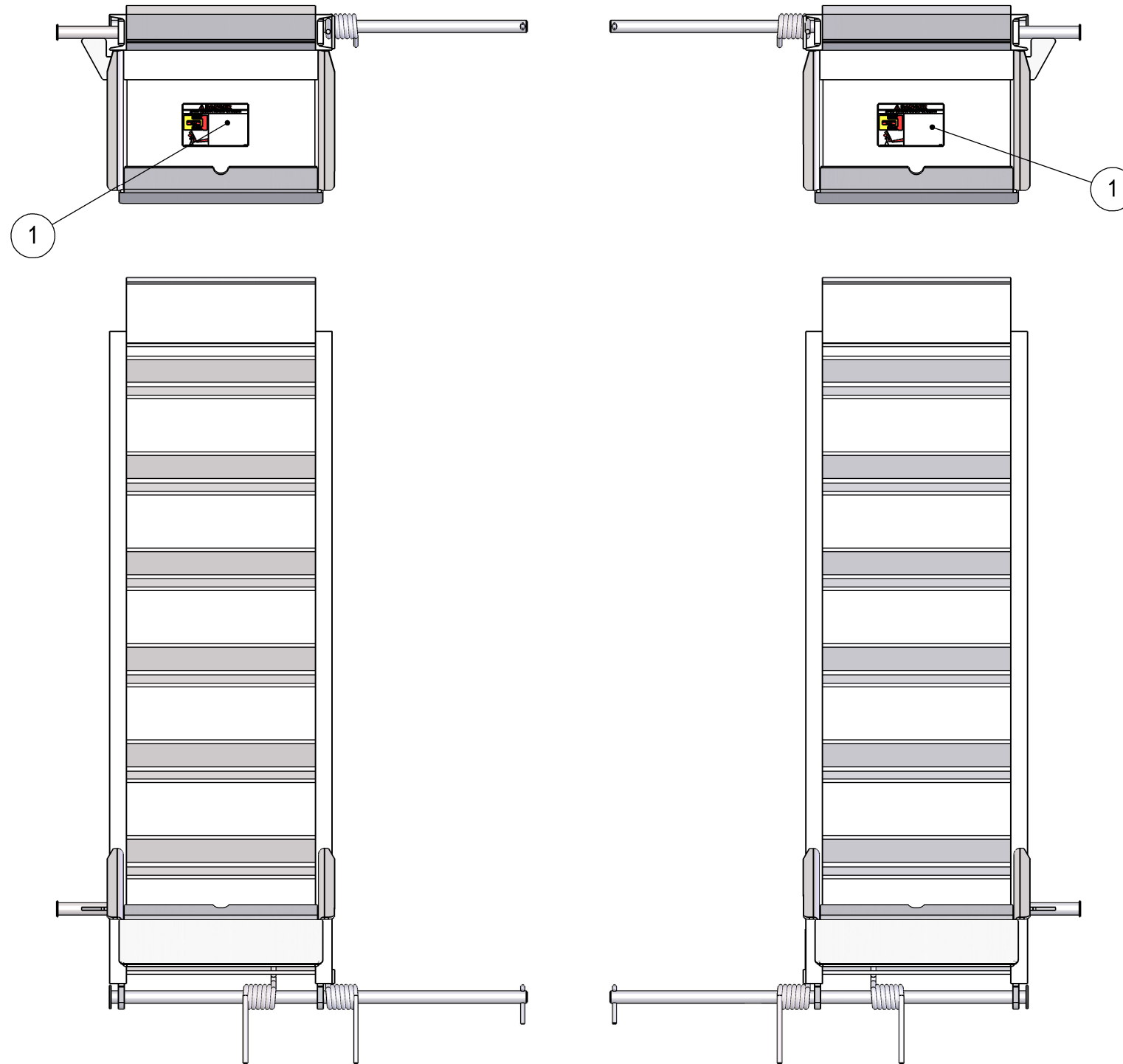


ITEM	QTY.	PART NUMBER	DESCRIPTION	NOTES
1	2	450029	DECAL, RAMP DANGER	



TOWMASTER
LITCHFIELD, NH

THIS DRAWING AND ITS CONTENTS ARE THE EXCLUSIVE PROPERTY OF TOWMASTER INC. AND SHALL NOT BE DISCLOSED TO OTHERS EXCEPT AS AUTHORIZED THROUGH WRITTEN CONSENT FROM TOWMASTER INC.

TOLERANCES: UNLESS OTHERWISE SPECIFIED	.0 ±.1 .00 ±.06 .000 ±.010 ANGLES ±1°		THIRD ANGLE PROJECTION		WELD SYMBOLS
SURFACE AREA: 8073.14	IN.SQ.	PART NAME: DECAL LAYOUT SM RAMP			
WEIGHT:245.01	LBS.				
DATE: 08/14/17	DESIGNED BY:RB	SHEET: 1/1	PART NUMBER: 1998029		
DO NOT SCALE	DETAILED BY:RB				

NO KIT PRINTED IN PAIRS

ITEM	QTY.	PART NUMBER	DESCRIPTION	NOTES
1	2	450029	DECAL, RAMP DANGER	
2	2	450050	REFLECTIVE TAPE 2" RED/WHITE	
3	2	450260	DECAL TOWMASTER RAMP	



TOWMASTER
LITCHFIELD, NH

THIS DRAWING AND ITS CONTENTS ARE THE EXCLUSIVE PROPERTY OF TOWMASTER INC. AND SHALL NOT BE DISCLOSED TO OTHERS EXCEPT AS AUTHORIZED THROUGH WRITTEN CONSENT FROM TOWMASTER INC.

TOLERANCES .0 ±.1 UNLESS .00 ±.06 OTHERWISE .000 ±.010 SPECIFIED ANGLES ±1°	THIRD ANGLE PROJECTION	WELD SYMBOLS
--	------------------------	--------------

SURFACE AREA: 10628.08 IN.SQ.	PART NAME: DECAL LAYOUT RAMP
WEIGHT:316.38 LBS.	

DECAL KIT #456208

DATE: 08/08/17	DESIGNED BY:RB	SHEET: 1/1	PART NUMBER: 1998030
DO NOT SCALE	DETAILED BY: RB		

ITEM	QTY.	PART NUMBER	DESCRIPTION	NOTES
1	2	450260	DECAL TOWMASTER RAMP	
2	2	450029	DECAL, RAMP DANGER	
3	10	450050	REFLECTIVE TAPE 2" RED/WHITE	



TOWMASTER
LITCHFIELD, MN

THIS DRAWING AND ITS CONTENTS ARE THE EXCLUSIVE PROPERTY OF TOWMASTER INC. AND SHALL NOT BE DISCLOSED TO OTHERS EXCEPT AS AUTHORIZED THROUGH WRITTEN CONSENT FROM TOWMASTER INC.

TOLERANCES .0	±.1	 THIRD ANGLE PROJECTION	 WELD SYMBOLS
UNLESS .00	±.06		
OTHERWISE .000	±.010		
SPECIFIED ANGLES	±1°		

SURFACE AREA: 30941.21 IN² PART NAME: DECAL LAYOUT AIR TILT RAMP

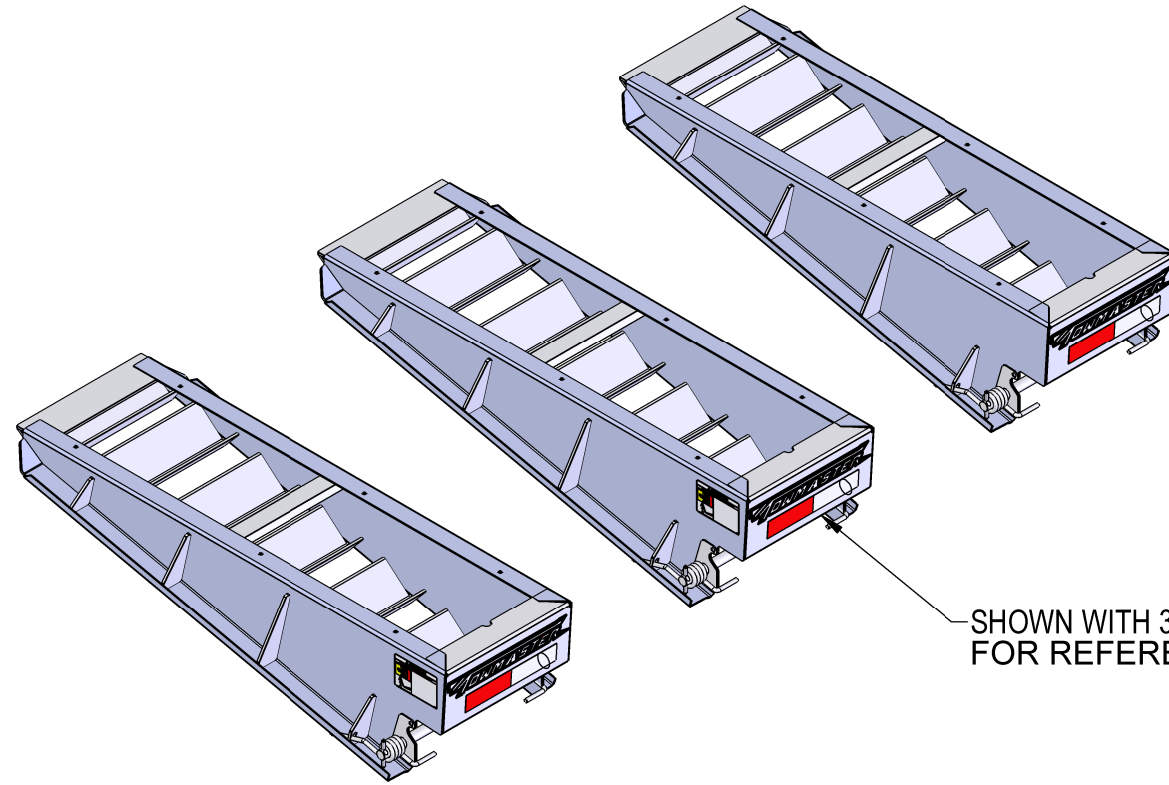
WEIGHT: 896.46 LBS

DATE: 08/08/17 DESIGNED BY: RB SHEET: 1/1 PART NUMBER: 1998031

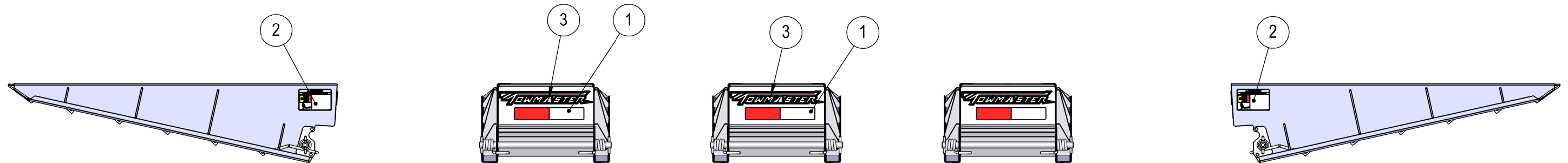
DO NOT SCALE DETAILED BY: RB

DECAL KIT #456208

ITEM	STANDARD/ QTY.	PART NUMBER	DESCRIPTION	NOTES
1	2	450050	REFLECTIVE TAPE 2" RED/WHITE	
2	2	450029	DECAL, RAMP DANGER	
3	2	450260	DECAL TOWMASTER RAMP	



SHOWN WITH 3RD RAMP FOR REFERENCE ONLY



TOWMASTER
LITCHFIELD, MN

THIS DRAWING AND ITS CONTENTS ARE THE EXCLUSIVE PROPERTY OF TOWMASTER INC. AND SHALL NOT BE DISCLOSED TO OTHERS EXCEPT AS AUTHORIZED THROUGH WRITTEN CONSENT FROM TOWMASTER INC.

TOLERANCES: .0 ±.1 UNLESS .00 ±.06 OTHERWISE .000 ±.010 SPECIFIED ANGLES ±1°	THIRD ANGLE PROJECTION	WELD SYMBOLS
---	------------------------	--------------

SURFACE AREA: 17658.31 IN ²	WEIGHT: 387.78 LBS	PART NAME: DECAL LAYOUT WEDGE RAMPS
--	--------------------	-------------------------------------

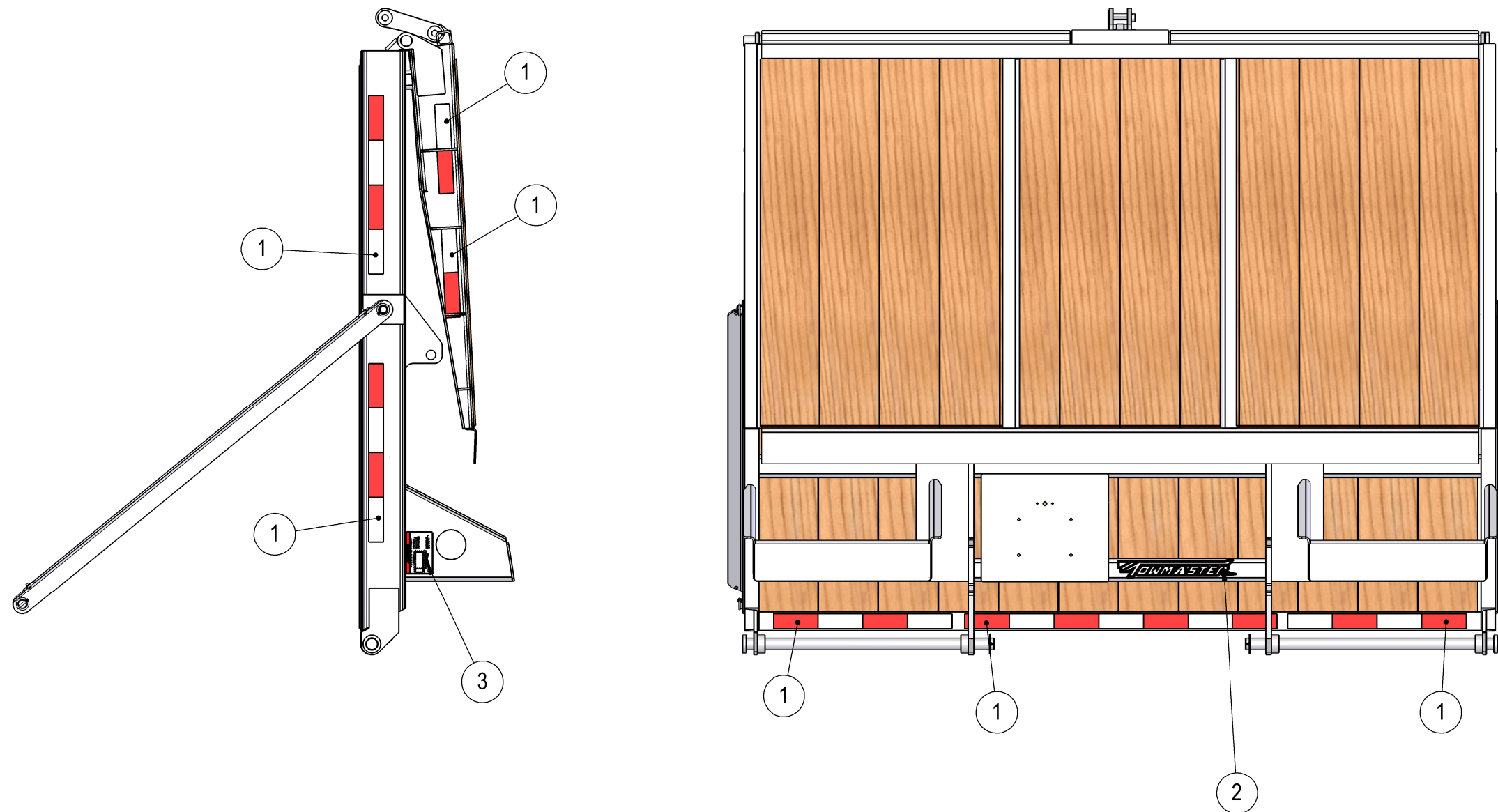
DECAL KIT #456208 (2X)
(1-TOWMASTER DECAL 1-DECAL RAMP DANGER NOT USED)

DATE: 08/29/17	DESIGNED BY: RB	SHEET: 1/1	PART NUMBER: 1998033
DO NOT SCALE	DETAILED BY: RB		

NOTES:

1.) CONSPICUITY TAPE MUST START AT FURTHEST MOST FRONT PART OF THE TRAILER STARTING WITH WHITE AND ALTERNATING (WHITE, RED) THROUGHOUT THE TRAILER RUNNING AS SEAMLESS AS POSSIBLE. ALL CONSPICUITY TAPE IS TO COVER VERTICAL PERIMETER OF THE TRAILER HORIZONTALLY. IF NEEDING TO CUT BECAUSE OF LIGHTS, D-RINGS, STAKE POCKETS, DECALS, ETC, CUT LINES MUST BE WHERE THE WHITE/RED MEET. IF ENDING IN A WHITE THE NEXT COLOR MUST BE A RED AND VICE-VERSA.

ITEM	CLOSED/QTY.	PART NUMBER	DESCRIPTION	NOTES
1	20	450050	REFLECTIVE TAPE 2" RED/WHITE	
2	1	450260	DECAL TOWMASTER RAMP	
3	2	450061	DECAL DANGER BIFOLD RAMP	



TOWMASTER
LITCHFIELD, NH

THIS DRAWING AND ITS CONTENTS ARE THE EXCLUSIVE PROPERTY OF TOWMASTER INC. AND SHALL NOT BE DISCLOSED TO OTHERS EXCEPT AS AUTHORIZED THROUGH WRITTEN CONSENT FROM TOWMASTER INC.

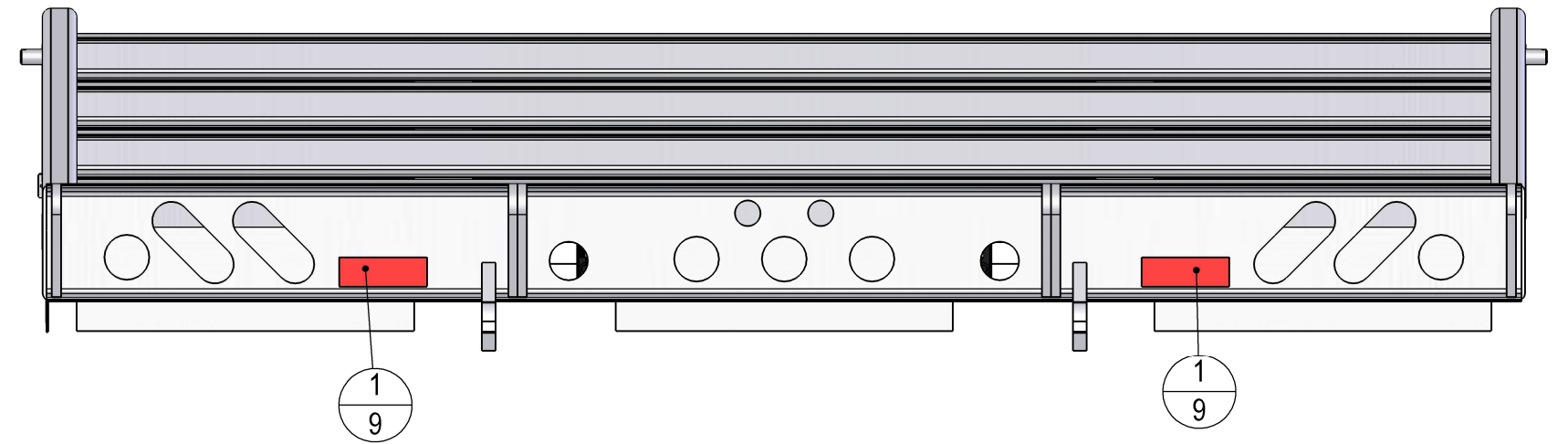
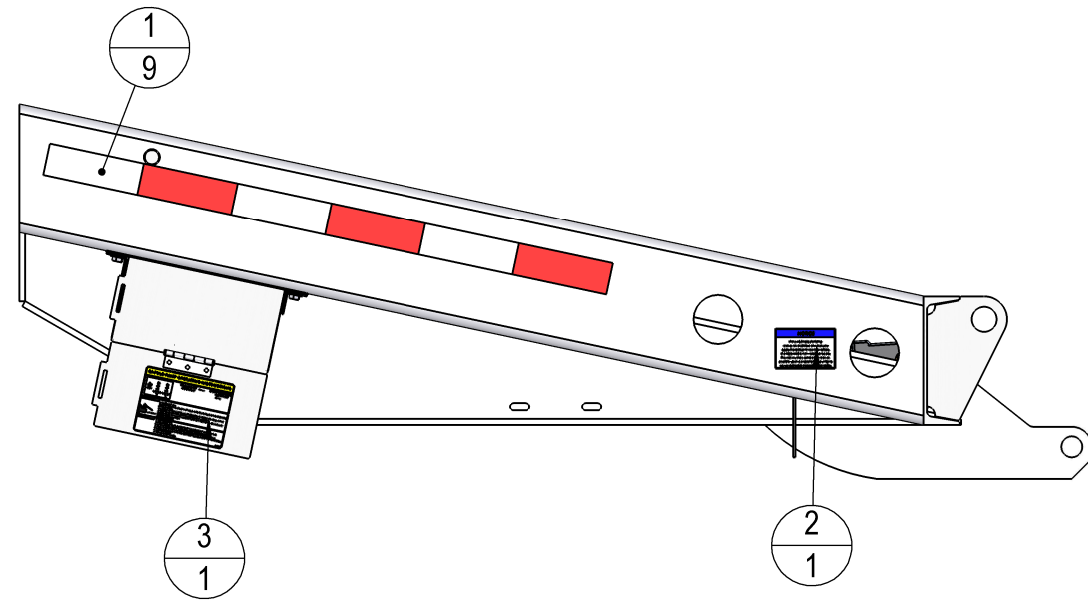
TOLERANCES .0 ±.1 UNLESS .00 ±.06 OTHERWISE .000 ±.010 SPECIFIED ANGLES ±1°	THIRD ANGLE PROJECTION	WELD SYMBOLS
SURFACE AREA: IN SQ.	PART NAME: DECAL LAYOUT BIFOLD RAMP	
WEIGHT: 1909.99 LBS.	DATE: 08/14/17	DESIGNED BY: RB
DO NOT SCALE	DATE: 08/14/17	DESIGNED BY: RB
	SHEET: 1/1	PART NUMBER: 1998032

DECAL KIT #456208 (1-TOWMASTER DECAL NOT USED)

ITEM	Default/ QTY.	PART NUMBER	DESCRIPTION	NOTES
1	9	450050	REFLECTIVE TAPE 2" RED/WHITE	
2	1	450285	DECAL ABS INDICATOR	
3	1	451362	DECAL BIFOLD RAMP INSTRUCTIONS	

NOTES:

- 1.) CONSPICUITY TAPE MUST START AT FURTHEST MOST FRONT PART OF THE TRAILER STARTING WITH WHITE AND ALTERNATING (WHITE, RED) THROUGHOUT THE TRAILER RUNNING AS SEAMLESS AS POSSIBLE. ALL CONSPICUITY TAPE IS TO COVER VERTICAL PERIMETER OF THE TRAILER HORIZONTALLY. IF NEEDING TO CUT BECAUSE OF LIGHTS, D-RINGS, STAKE POCKETS, DECALS, ETC, CUT LINES MUST BE WHERE THE WHITE/RED MEET. IF ENDING IN A WHITE THE NEXT COLOR MUST BE A RED AND VICE-VERSA.
- 2.) THE EDGE OF WHITE REFLECTIVE TAPE SHALL NOT BE CLOSER THAN 3" TO THE EDGE OF A RED LAMP.
- 3.) THE EDGE OF RED REFLECTIVE TAPE SHALL NOT BE CLOSER THAN 3" TO THE EDGE OF A AMBER LAMP.



TOWMASTER
LITCHFIELD, NH

THIS DRAWING AND ITS CONTENTS ARE THE EXCLUSIVE PROPERTY OF TOWMASTER INC. AND SHALL NOT BE DISCLOSED TO OTHERS EXCEPT AS AUTHORIZED THROUGH WRITTEN CONSENT FROM TOWMASTER INC.

TOLERANCES UNLESS OTHERWISE SPECIFIED	.0 ±.1 .00 ±.06 .000 ±.010 ANGLES ±1°		THIRD ANGLE PROJECTION		WELD SYMBOLS
--	--	--	------------------------	--	--------------

SURFACE AREA: 21520.22 IN.SQ.	PART NAME: DECAL LAYOUT BVT BIFOLD
WEIGHT:928.45 LBS.	

DATE: 08/30/17	DESIGNED BY:RB	SHEET: 1/1	PART NUMBER: 1998045
DO NOT SCALE	DETAILED BY: RB		

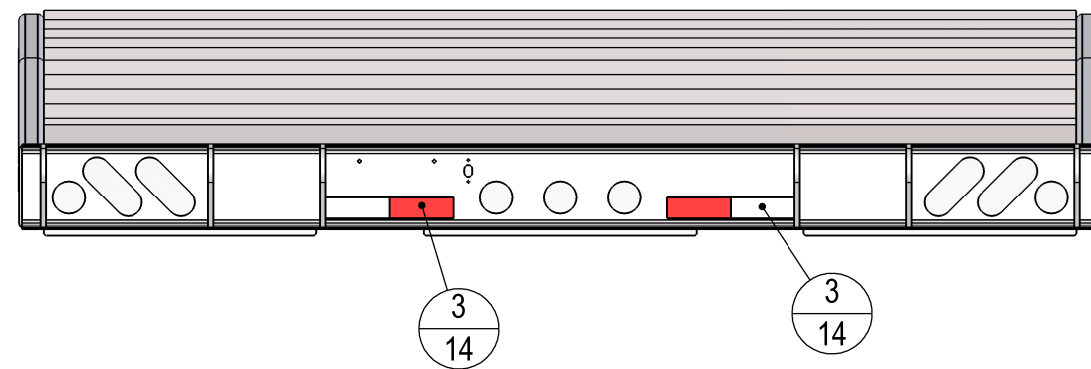
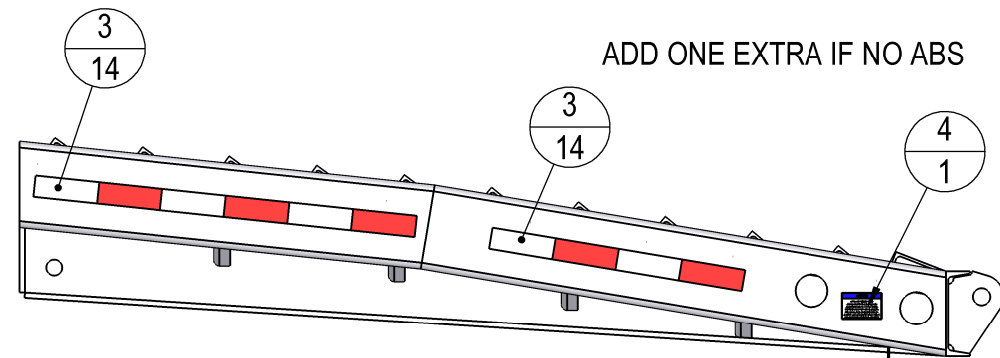
SINGLE DECAL PRINT AS NEEDED

ITEM	Default/ QTY.	PART NUMBER	DESCRIPTION	NOTES
1	3	060589	MOUNT, RAMP	
2	7	010034	ANGLE 96.875"	
3	14	450050	REFLECTIVE TAPE 2" RED/WHITE	
4	1	450285	DECAL ABS INDICATOR	IF NEEDED

NOTES:

1.) CONSPICUITY TAPE MUST START AT FURTHEST MOST FRONT PART OF THE TRAILER STARTING WITH WHITE AND ALTERNATING (WHITE, RED) THROUGHOUT THE TRAILER RUNNING AS SEAMLESS AS POSSIBLE. ALL CONSPICUITY TAPE IS TO COVER VERTICAL PERIMETER OF THE TRAILER HORIZONTALLY. IF NEEDING TO CUT BECAUSE OF LIGHTS, D-RINGS, STAKE POCKETS, DECALS, ETC, CUT LINES MUST BE WHERE THE WHITE/RED MEET. IF ENDING IN A WHITE THE NEXT COLOR MUST BE A RED AND VICE-VERSA.

2.) LAYOUT TO BE USED ON THE FOLLOWING TRAILER: DB BVT'S



TOWMASTER
LITCHFIELD, OH

THIS DRAWING AND ITS CONTENTS ARE THE EXCLUSIVE PROPERTY OF TOWMASTER INC. AND SHALL NOT BE DISCLOSED TO OTHERS EXCEPT AS AUTHORIZED THROUGH WRITTEN CONSENT FROM TOWMASTER INC.

TOLERANCES .0 ±.1 UNLESS .00 ±.06 OTHERWISE .000 ±.010 SPECIFIED ANGLES ±1°	THIRD ANGLE PROJECTION	WELD SYMBOLS
--	------------------------	--------------

SURFACE AREA: 38757.08 IN.SQ. PART NAME: DECAL LAYOUT DB BVT

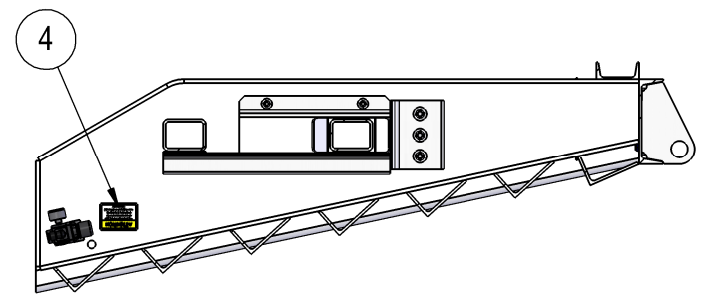
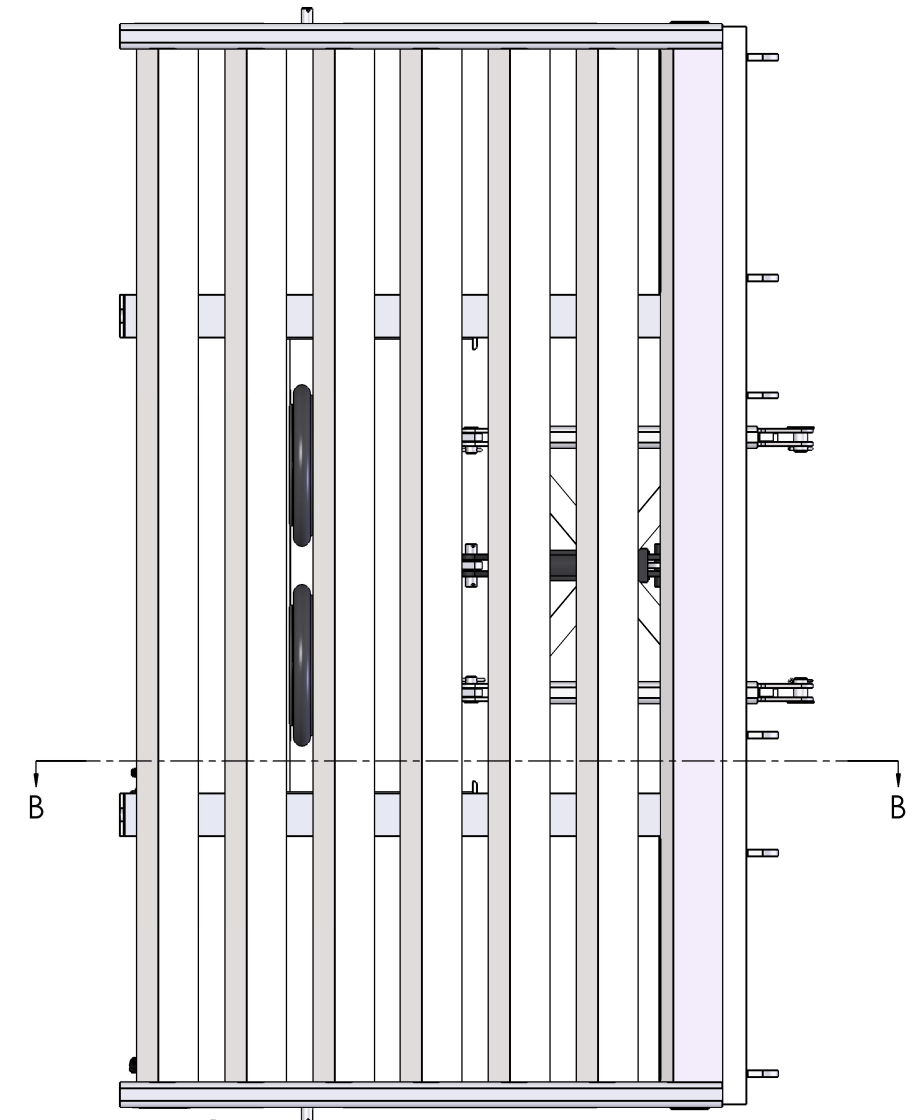
WEIGHT: 1434.31 LBS.

DATE: 08/25/17 DESIGNED BY: RB SHEET: 1/1 PART NUMBER: 1998041
DO NOT SCALE DETAILED BY: RB

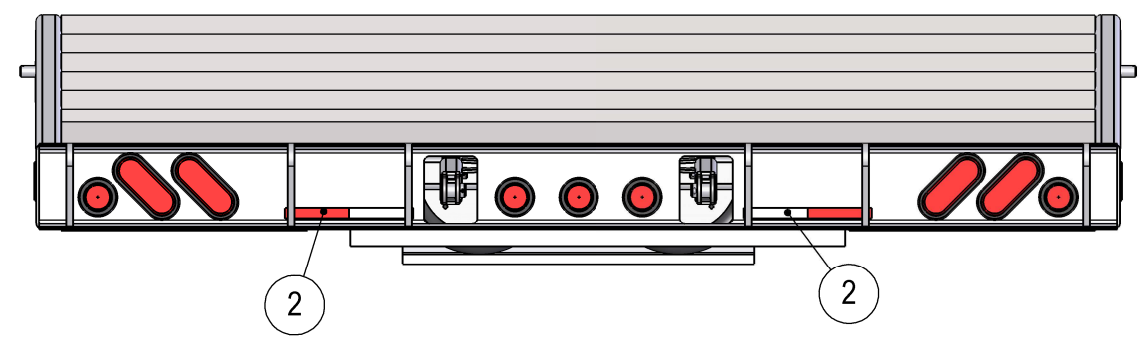
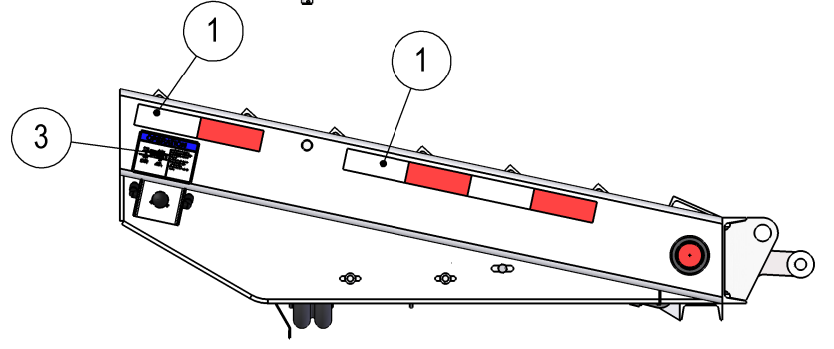
NOTES:

- 1.) CONSPICUITY TAPE MUST START AT FURTHEST MOST FRONT PART OF THE TRAILER STARTING WITH WHITE AND ALTERNATING (WHITE, RED) THROUGHOUT THE TRAILER RUNNING AS SEAMLESS AS POSSIBLE. ALL CONSPICUITY TAPE IS TO COVER VERTICAL PERIMETER OF THE TRAILER HORIZONTALLY. IF NEEDING TO CUT BECAUSE OF LIGHTS, D-RINGS, STAKE POCKETS, DECALS, ETC, CUT LINES MUST BE WHERE THE WHITE/RED MEET. IF ENDING IN A WHITE THE NEXT COLOR MUST BE A RED AND VICE-VERSA.
- 2.) LAYOUT TO BE USED ON THE AIR RAMP BVT.

ITEM	LED LIGHTS/QTY.	PART NUMBER	DESCRIPTION	NOTES
1	6	450050	REFLECTIVE TAPE 2" RED/WHITE	
2	2	450052	REFLECTIVE TAPE, 1" RED/WHITE	
3	1	454200	DECAL AIR RAMP CONTROL	
4	1	1993452	DECAL AIR RAMP PRESSURE	



SECTION B-B



TOWMASTER
LITCHFIELD, NH

THIS DRAWING AND ITS CONTENTS ARE THE EXCLUSIVE PROPERTY OF TOWMASTER INC. AND SHALL NOT BE DISCLOSED TO OTHERS EXCEPT AS AUTHORIZED THROUGH WRITTEN CONSENT FROM TOWMASTER INC.

TOLERANCES: UNLESS OTHERWISE SPECIFIED	.0 ±.1 .00 ±.06 .000 ±.010 ANGLES ±1°		THIRD ANGLE PROJECTION		WELD SYMBOLS
SURFACE AREA: 31747.48	IN.SQ.	PART NAME: DECAL LAYOUT BVT AIR			
WEIGHT:1087.94	LBS.	DATE: 08/30/17	DESIGNED BY:RB	SHEET: 1/1	PART NUMBER: 1998043

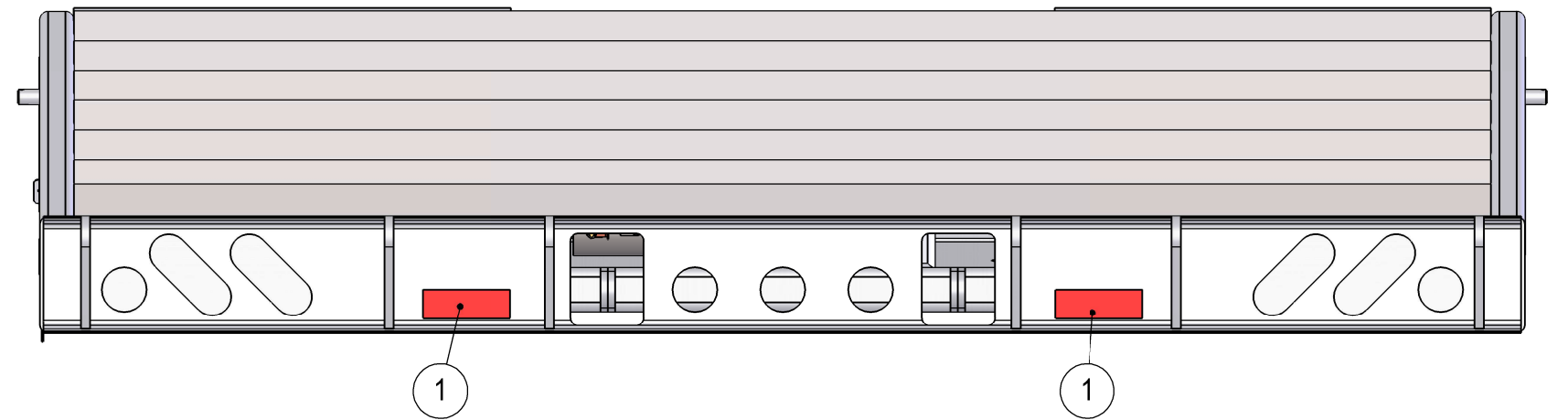
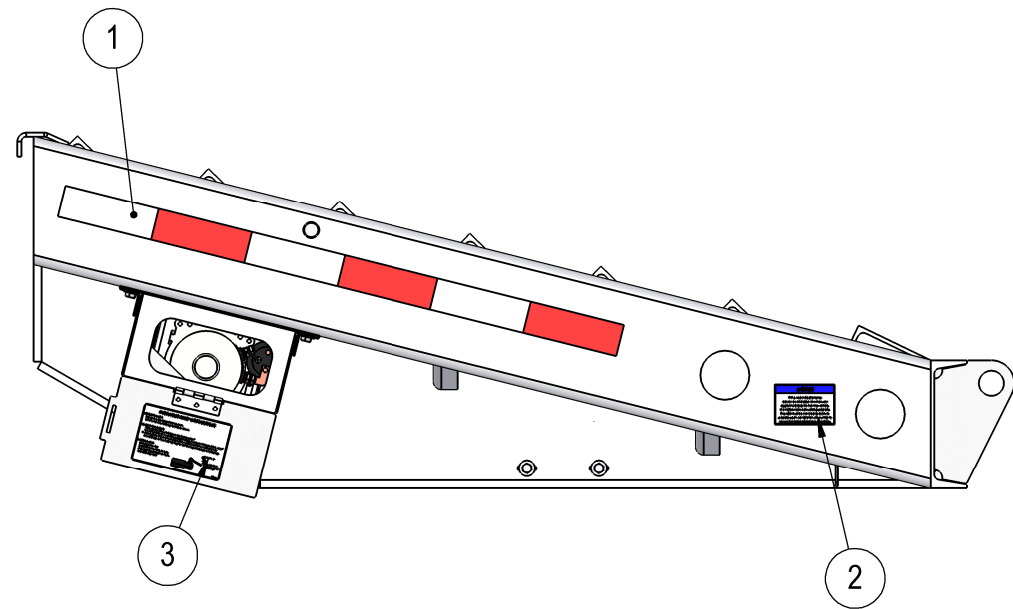
DO NOT SCALE

DECAL KIT #45210

NOTES:

- 1.) CONSPICUITY TAPE MUST START AT FURTHEST MOST FRONT PART OF THE TRAILER STARTING WITH WHITE AND ALTERNATING (WHITE, RED) THROUGHOUT THE TRAILER RUNNING AS SEAMLESS AS POSSIBLE. ALL CONSPICUITY TAPE IS TO COVER VERTICAL PERIMETER OF THE TRAILER HORIZONTALLY. IF NEEDING TO CUT BECAUSE OF LIGHTS, D-RINGS, STAKE POCKETS, DECALS, ETC, CUT LINES MUST BE WHERE THE WHITE/RED MEET. IF ENDING IN A WHITE THE NEXT COLOR MUST BE A RED AND VICE-VERSA.
- 2.) THE EDGE OF WHITE REFLECTIVE TAPE SHALL NOT BE CLOSER THAN 3" TO THE EDGE OF A RED LAMP.
- 3.) THE EDGE OF RED REFLECTIVE TAPE SHALL NOT BE CLOSER THAN 3" TO THE EDGE OF A AMBER LAMP.

ITEM	Default/ QTY.	PART NUMBER	DESCRIPTION	NOTES
1	9	450050	REFLECTIVE TAPE 2" RED/WHITE	
2	1	450285	DECAL ABS INDICATOR	
3	1	454210	DECAL FLOAT VALVE REAR RAMP INSTRUCTIONS	



TOWMASTER
LITCHFIELD, NH

THIS DRAWING AND ITS CONTENTS ARE THE EXCLUSIVE PROPERTY OF TOWMASTER INC. AND SHALL NOT BE DISCLOSED TO OTHERS EXCEPT AS AUTHORIZED THROUGH WRITTEN CONSENT FROM TOWMASTER INC.

TOLERANCES: .0 ±.1 UNLESS .00 ±.06 OTHERWISE .000 ±.010 SPECIFIED ANGLES ±1°	THIRD ANGLE PROJECTION	WELD SYMBOLS
---	------------------------	--------------

SURFACE AREA: 31416.46 IN.SQ.	PART NAME: DECAL LAYOUT BVT HYD
WEIGHT: 1345.00 LBS.	

DATE: 09/14/17	DESIGNED BY: RB	SHEET: 1/1	PART NUMBER: 1998044
DO NOT SCALE	DETAILED BY: RB		

SINGLE DECAL PRINT AS NEEDED